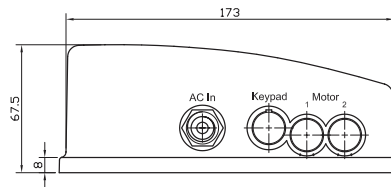
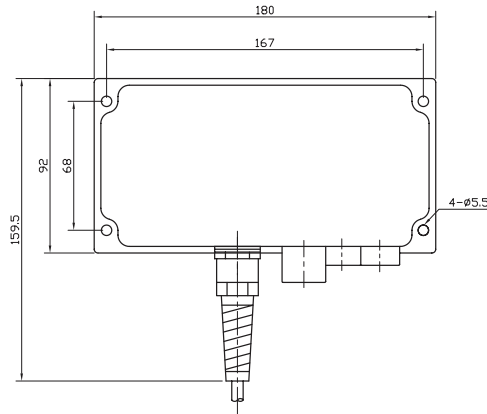


9.

2-Axis Controller (1)

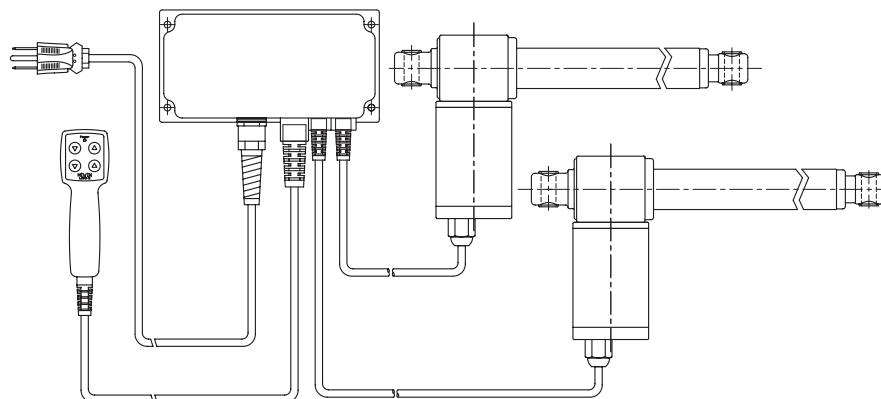
LAK2



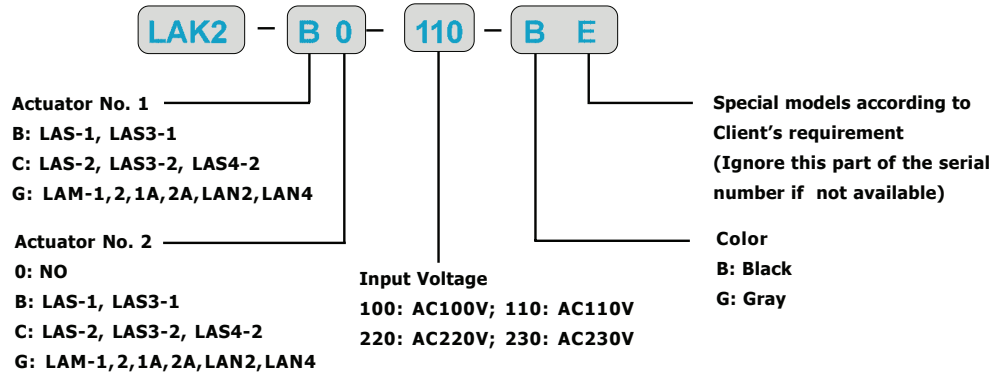
Input voltage	AC 100/110/220/230V
Output power	108VA (24VDC)max
Duty cycle	10%
Working temp	+5°C ~ 40°C
Protection*	IP54

*Option: IP66

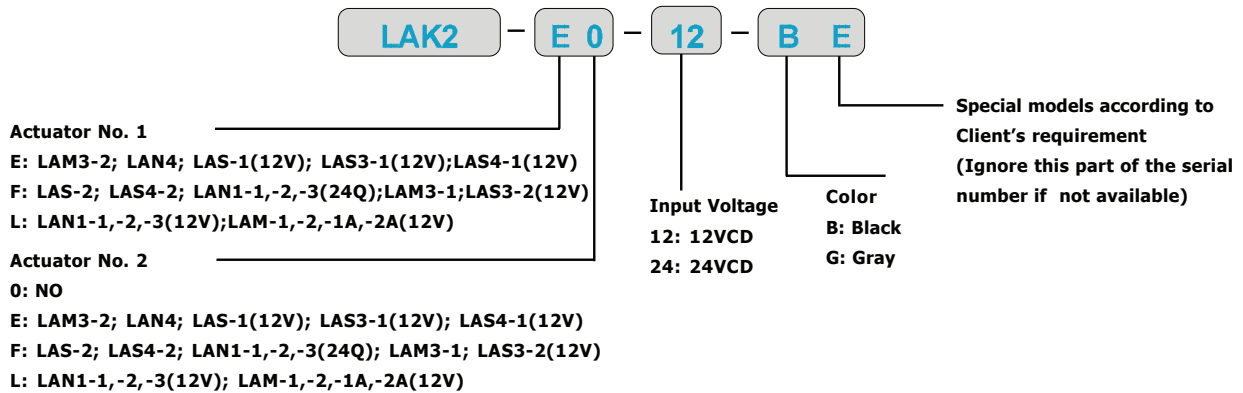
- **Features of LAK2**
 - Control 1 or 2 Linear Actuators
 - Compact size
 - Over current protection
 - Standard cable length: 4M
- **For Series LAS, LAS4, LAM, LAN2 and LAN4**



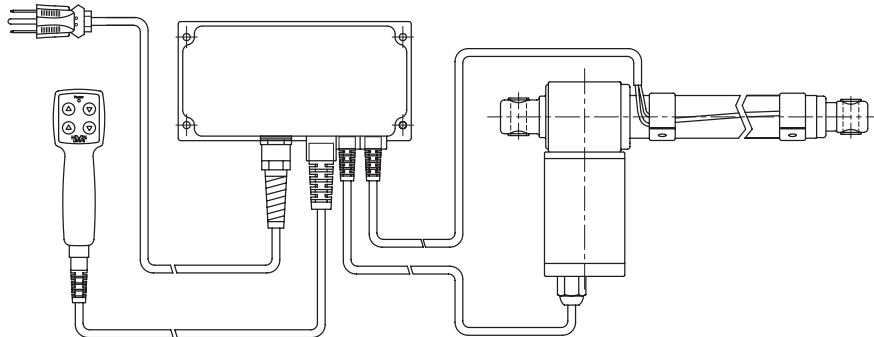
• **Ordering Information**



• **Ordering Information**



• **For Series LAM, LAN2 completed with external limit switches**



• **Ordering Information**

