

11.

4-Axis Controller

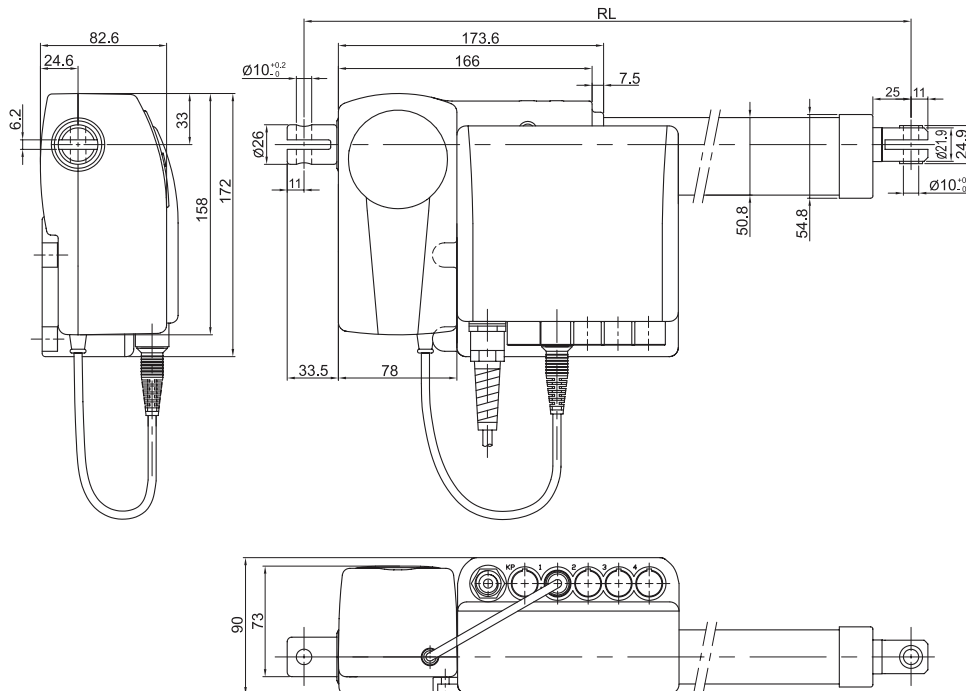
LAK4

CE



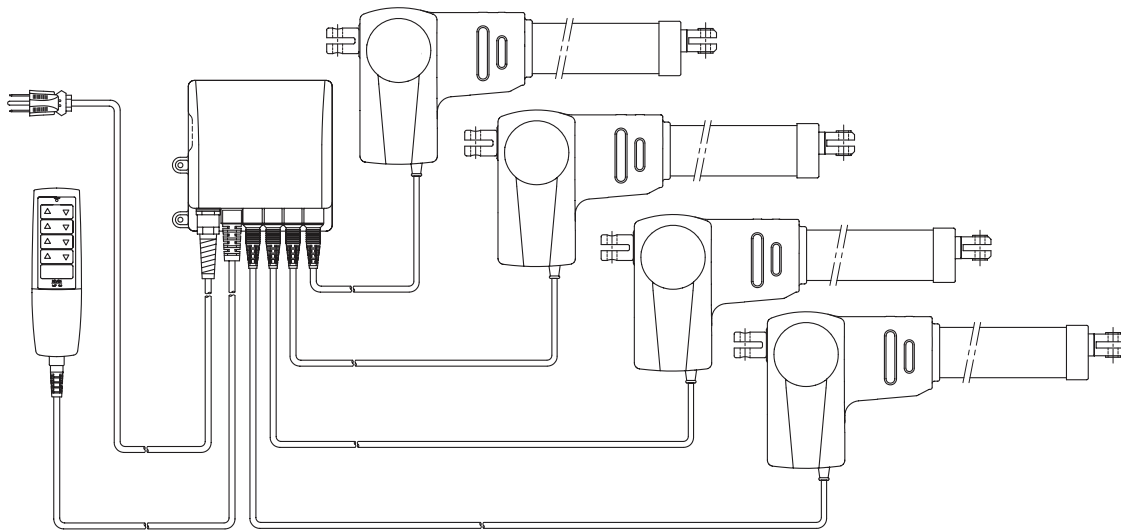
Input voltage	AC 100/110/220/230V(50/60HZ)
Output power	72.5VA(24VDC)max
Duty cycle	10%
Working temp	+5°C ~ 40°C
Protection*	IP54

*Option: IP66



- **Features of LAK4**
 - Control 1 to 4 Actuators
 - Compatible with *HIWIN*'s LAN1 Series
 - Can be mounted directly on LAN1
 - Standard cable length: 4M

- **For Series LAN1**



- **Ordering Information**

