

12.

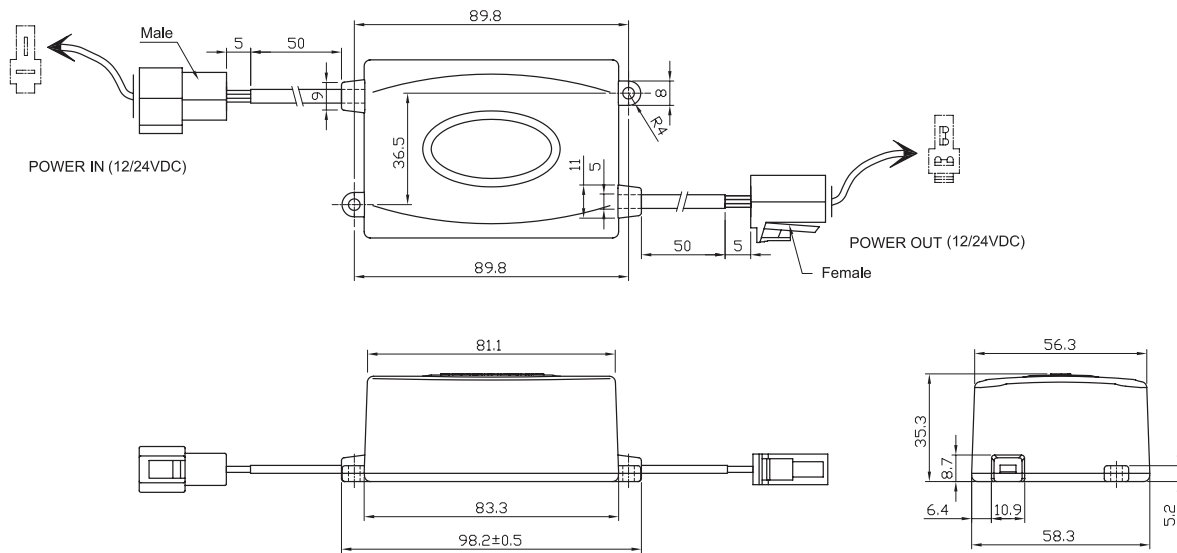
Over Current Protection Box

LAKC-1



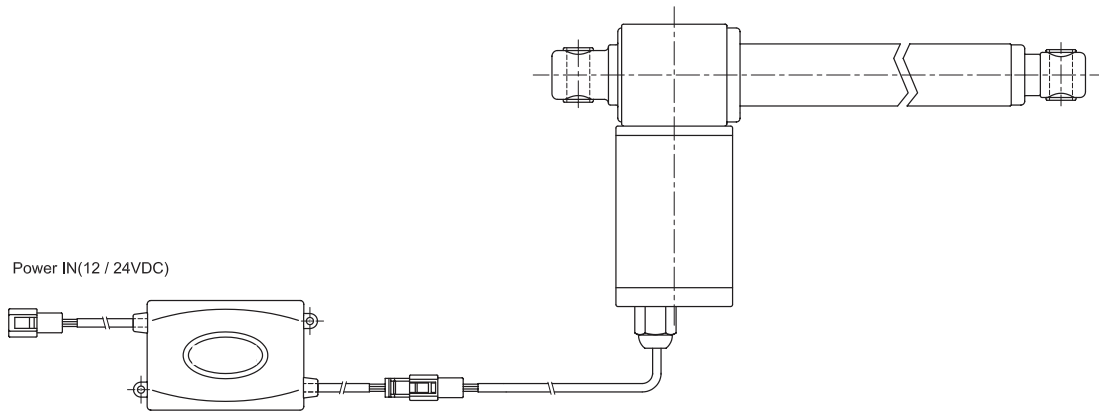
| | |
|----------------|-------------|
| Input voltage | 12 / 24VDC |
| Output voltage | 12 / 24VDC |
| Duty cycle | 10% |
| Working temp | +5°C ~ 40°C |
| Protection* | IP54 |

*Option: IP66



- **Features of LAKC-1**
 - Compact size
 - Low cost
 - Easy to use
 - Multiple over- current settings available
 - Fast response time

- **For Series LAS, LAS4, LAM,LAN1 and LAN4**



- **Ordering Information**

