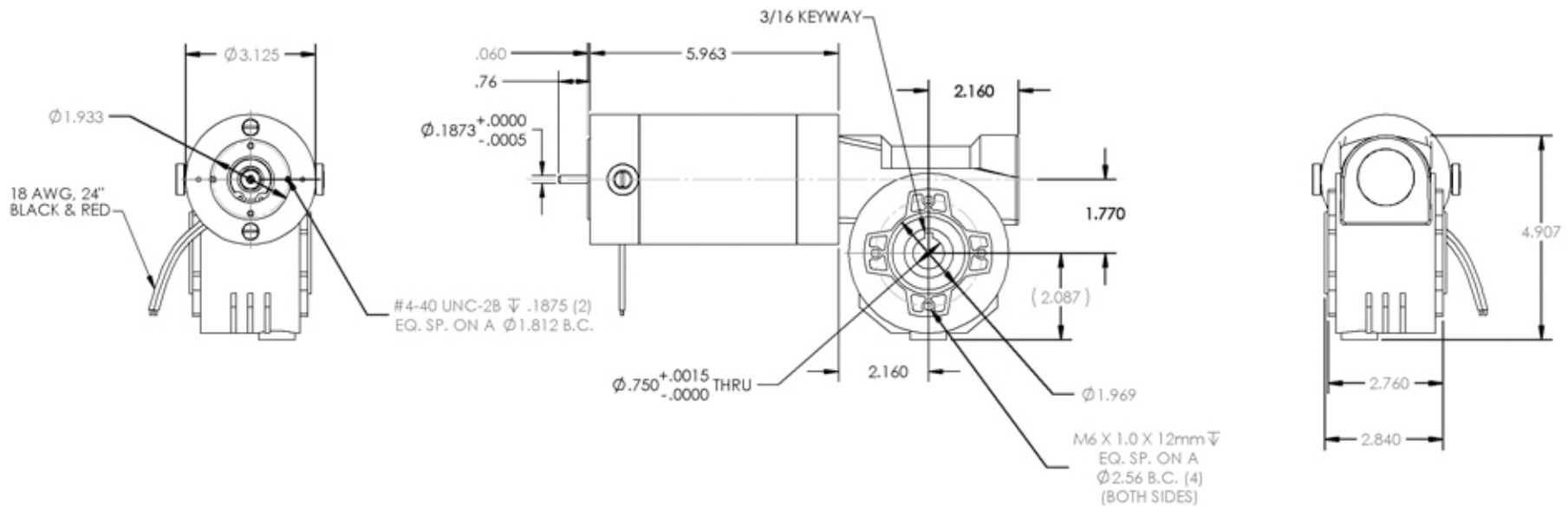


DIRECTION OF MOTOR ROTATION
WITH (+) APPLIED TO RED LEAD WIRE
AND VIEWED FROM THIS END

CW ↘



MOTOR CHARACTERISTICS

RATED VOLTAGE D.C.	@48	VOLTS	
RATED CURRENT	4.4	AMPS	
RATED TORQUE	120	OZ-IN	
RATED SPEED	1700	RPM	+/-15%
RATED POWER OUT	320	WATTS	+/-15%
NO LOAD SPEED	2300	RPM	+/-15%
NO LOAD CURRENT	0.36	AMPS	MAX
BACK EMF CONSTANT	20.3	V/KRPM	+/-10%
TORQUE CONSTANT	27.4	OZ-IN/AMP	+/-10%
DC ARMATURE RESISTANCE AT 1.5 AMPS	1.9	OHMS	+/-15%
STATIC FRICTION	7	OZ-IN	MAX
ENDPLAY WITH 5 POUND REVERSING	0.005	INCHES	MAX
SHAFT TIR	0.002	INCHES	MAX
ARMATURE INERTIA	0.035	OZ-IN/SEC ²	REF

GEAR DATA

GEAR RATIO	10:1		
EFFICIENCY	88	%	
OUTPUT TORQUE	66	IN-LB	CONT.
SIDE LOAD	400	LBS	MAX
OUTPUT SPEED	26	RPM	+/-15%
BACKLASH	90	ARC-MIN	NO LOAD
PEAK TORQUE	1000	IN-LB	MAX

OPERATING LIMITS

SPEED	4000	RPM	MAX
ARMATURE TEMPERATURE	155	DEGREES C	MAX

- Features:
- *ABEC 3 Ball Bearings
 - *Vent free, Factory lubricated
 - *Synthetic Gear lubricant
 - *Resinol RT Vacuum Impregnated (MIL-STD-276) cast aluminum gear housing
 - *Alloy Steel Output Shafting
 - *Hardened, Ground Worm Gear
 - *Compact, light weight design
 - *Rugged, Durable Design
 - *Unit Weight - 10.00 Lbs Approx.

DYNETIC SYSTEMS
Ek River, Minnesota