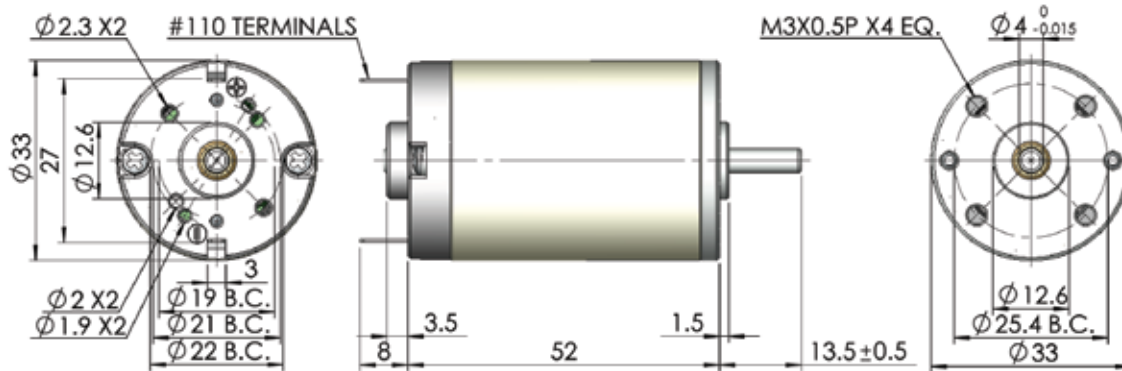


AIM3355

33mm Diameter



	Volt	No Load				Rated At Max Eff.				Stall		Peak O/P	Rt	La	Kt	Ke
	VDC	Amps	RPM	oz-in	RPM	Amps	%	Watts	oz-in	Amps	Watts	Ω	mH	oz-in/A	V/K RPM	
AIM33556724	24	0.05	3270	1.15	2528	0.177	50.87	2.16	5.08	0.608	3.07	39.47	28	9.165	6.7	
AIM33555012	12	N/A														
AIM33555024	24	0.07	4300	1.34	3389	0.267	52.7	3.38	6.36	1	5.06	24	16	6.8	5.07	
AIM33554012	12	0.07	2630	0.88	2029	0.24	46.38	1.33	3.88	0.812	1.89	14.78	10	5.27	4	
AIM33554024	24	0.075	5520	1.4	4533	0.358	54.68	4.7	7.84	1.66	8.01	14.46	10	4.99	4	
AIM33553212	12	0.095	2345	1.055	1825	0.34	34.94	1.42	4.76	1.2	2.07	10	6.4	4.3	3.2	
AIM33553224	24	0.11	6800	1.664	5569	0.524	54.53	6.86	9.2	2.4	11.58	10	6.4	4.02	3.2	
AIM33552612	12	0.125	4250	1.665	3330	0.475	50.44	2.87	5.38	1.74	4.23	6.9	0.2	3.33	2.6	
AIM33552624	24	0.14	8950	1.833	7445	0.712	59.09	10.09	10.9	3.54	18.04	6.78	4.2	3.19	2.6	
AIM33551312	12	0.26	8100	1.652	6601	1.209	55.59	8.07	8.92	5.39	13.37	2.23	1.1	1.805	1.33	

Contact us for more options

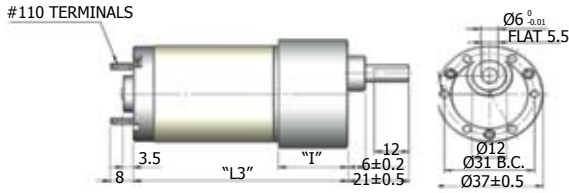
ENCODER OPTIONS

NO ENCODERS AVAILABLE

GEARHEAD DRAWINGS

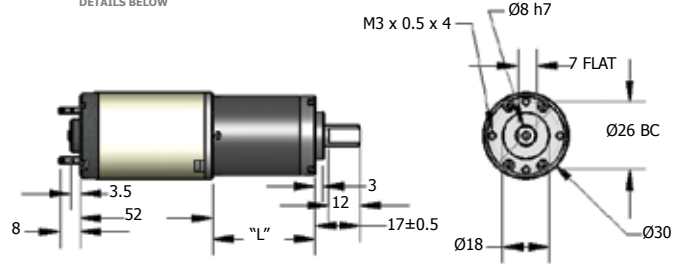
AGM37 SPUR GEARHEAD

DETAILS BELOW



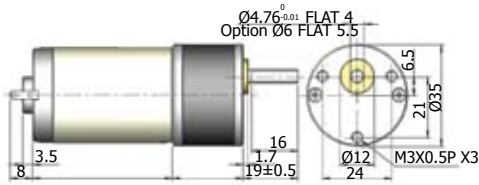
AGL30 PLANETARY GEARHEAD

DETAILS BELOW



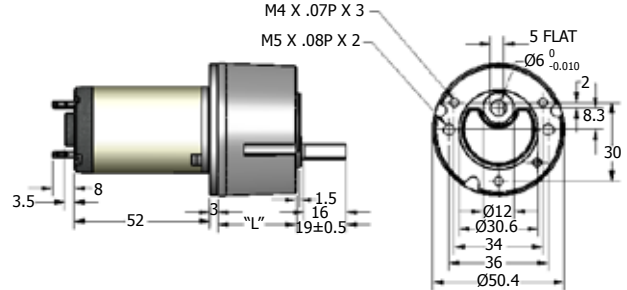
AGL35 SPUR GEARHEAD

DETAILS BELOW



AGM50 SPUR GEARHEAD

DETAILS BELOW



GEARHEAD SPECIFICATIONS

AGM37 SPUR GEARHEAD

Gear Ratio	6	10	18	30	50	60	75	90	100	120	150	180	200	250	300	350	400	450	500	600	700	750	900	1000	1500	3000
Stage	2		3		4				5						6						7					
Eff. %	81		73		66				59						53						48					
Dim.	"I"		22		24		27				31						33						33			
	"L3"		72.8		75.3		77.8				80.3						82.8						85.3			
Cont. Torque oz-in	14		27		42		56				83						83						85.3			
Peak Torque oz-in	42		83		83				167				250						250							

AGL30 PLANETARY GEARHEAD

Gear Ratio	3.3	4	5.2	10.9	13.2	16	20.8	27	35.9	43.6	52.8	64	89.2	108.2	140.6	118.6	186.9	226.5	256	332.8	432.6	562.4	731.1
Stage	1			2			3						4										
Eff. %	81			73			65						60										
Dim.	"L"			20.5			27			33.5						40							
Cont. Torque oz-in	111			277			416						416										
Peak Torque oz-in	333			555			833						833										

AGL35 SPUR GEARHEAD

Gear Ratio (H)	6.36	19.7	61.2	190	588	1822						
Gear Ratio (G)	10	31.2	96.7	300	930	2880						
Stage	2		3		4		5		6		7	
Dim. "L"	H		24.5		27.5		30.5		33.5		33.5	
	G		24.5		28		30.5		33.5		36.5	
Cont. Torque oz-in	6.9		18.05		48.6		65.27		76.38		83.32	
Eff. %	81		73		65		60		53		48	

AGM50 SPUR GEARHEAD

P/N / Ratio	6	8	10	12	18	24	30	36	54	72	90	108	162	216	270	324	486	648	810	972	1458	1944	2430	2916
Stage	2		3		3				4				5				6				7			
Eff. %	81		73		73				65				60				53				48			
Dim.	"L"		27		27				34.5				42				42							
Cont. Torque oz-in	27.72		73.32		249.9				333.3				416.6				416.6							
Peak Torque oz-in	83.32		249.9		749.9				833.24				833.24				833.24							