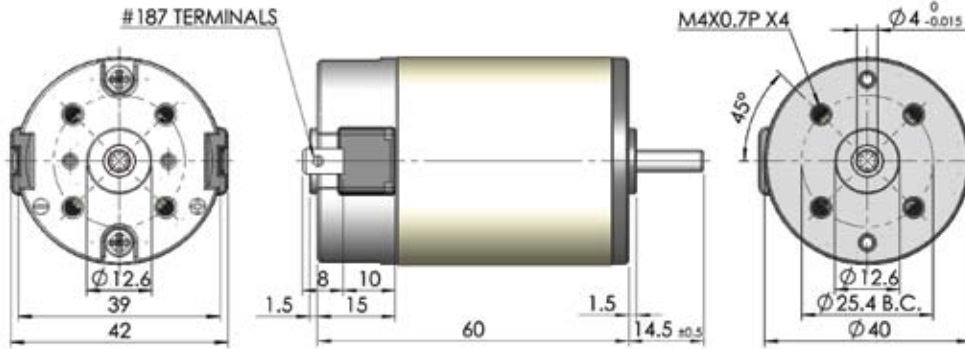


AIM4060

40mm Diameter



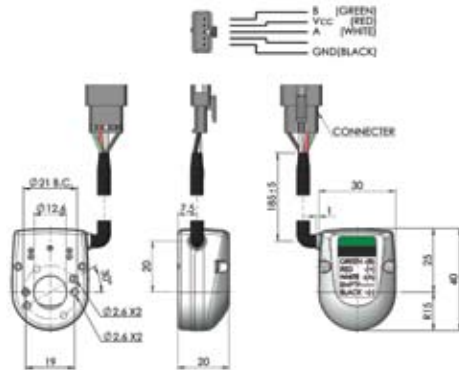
	Volt	No Load		Rated AtMax Eff.				Stall		Peak O/P	Rt	La	Kt	Ke	
	VDC	Amps	RPM	oz-in	RPM	Amps	%	Watts	oz-in	Amps	Watts	Ω	mH	oz-in/A	V/K RPM
AIM40659712	12	0.4	1230	1.499	970	1.54	58.06	1.08	7.08	0.58	1.61	20.69	16.9	13.05	9.7
AIM40659724	24	0.43	2420	2.43	2024	2.29	66.21	3.64	14.85	1.18	6.65	20.34	16.9	13.05	9.7
AIM40656312	12	0.62	1800	1.99	1476	2.92	62.29	2.18	11.1	1.34	3.7	8.96	7.25	8.74	6.3
AIM40656324	24	0.68	3750	3.08	3216	4.28	71.34	7.33	21.66	2.6	15.02	9.23	7.25	8.61	6.3
AIM40654512	12	1.02	2550	2.52	2122	5.11	64.7	3.97	15.06	2.54	7.1	4.72	3.77	6.24	4.5
AIM40654524	24	1.1	5200	3.88	4500	7.45	72.34	12.94	28.88	4.83	27.77	4.97	3.77	6.11	4.5
AIM40653812	12	1.06	3000	2.57	2538	6.08	66.12	4.82	16.66	3.36	9.24	3.57	2.7	5.13	3.8
AIM40653824	24	1.22	6100	3.98	5348	9.11	72.12	15.76	32.33	6.52	36.46	3.68	2.7	4.99	3.8
AIM40653312	12	1.3	3500	2.8	2968	7.63	67.23	6.16	18.47	4.3	11.95	2.79	2	4.44	3.3
AIM40653324	24	1.5	7100	4.2	6233	1.119	72.23	19.39	34.44	8.08	45.21	2.97	2	4.3	3.3
AIM40651712	12	3	6500	3.93	5614	2.026	67.11	16.32	28.84	1.297	34.66	0.93	0.54	2.22	1.72

Contact us for more options

ENCODER OPTIONS

AEE3020 ENCODER

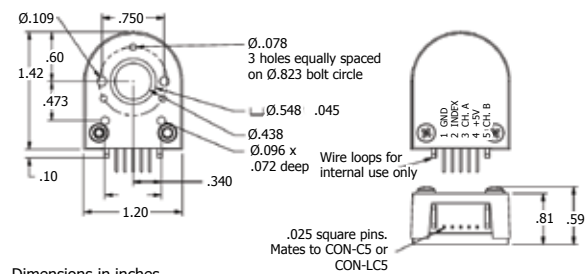
DETAILS BELOW



Resolution	3	5	12	16	24	25	50	100	200	256	360	400	500	512	
Power Source	5V~24V			5V±10%			5V±10%								
Current Consumption	≤40mA			≤30mA			≤30mA								
Output Signal	A OR A.B.			A.B.			A.B.								
Indexed				Available											

AEE5500 ENCODER

DETAILS BELOW



Dimensions in inches

Resolution *	500	1000	2000
Power Source	5V~24V		
Current Consumption	≤40mA		
Output Signal	A OR B		
Indexed	Available		

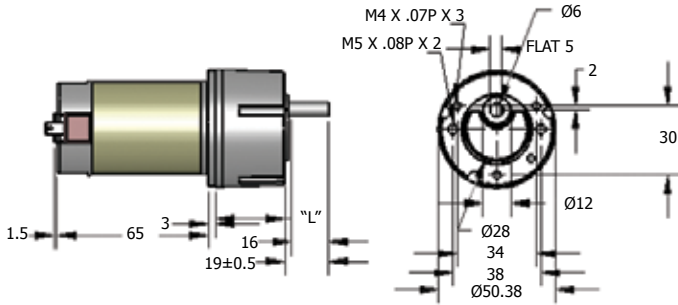
* Others Available



GEARHEAD DRAWINGS

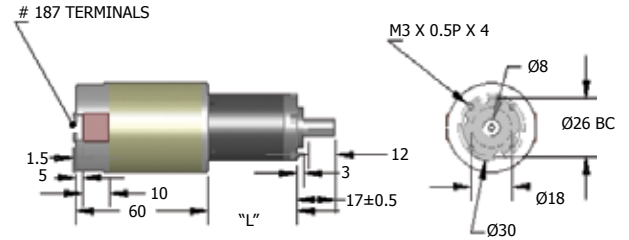
GBM50 SPUR GEARHEAD

DETAILS BELOW



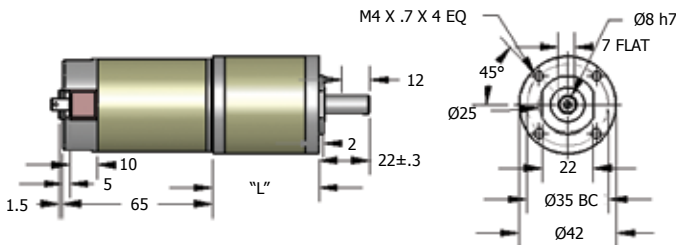
GBP30 PLANETARY GEARHEAD

DETAILS BELOW



AGP42 PLANETARY GEARHEAD

DETAILS BELOW



GEARHEAD SPECIFICATIONS

GBM50 SPUR GEARHEAD

Gear Ratio	6	8	10	12	18	24	30	36	54	72	90	108	162	216	270	324	486	648	810	972	1458	1944	2340	2916
Stage	2				3				4				5				6				7			
Dim. "L"	27				27				34.5				34.5				42				42			
Eff. %	81				73				65				60				53				48			
Cont. Torque oz-in	27				83				250				333				416				416			
Peak Torque oz-in	83				250				750				833				833				833			

GBP30 PLANETARY GEARHEAD

Gear Ratio	3.3	4	5.2	10.9	13.2	16	20.8	27	35.9	43.6	52.8	64	89.2	108.2	140.6	118.6	186.9	226.5	256	332.8	432.6	562.4	731.1
Stage	1				2				3				4										
Eff. %	81				73				65				60										
Dim. "L"	20.5				27				33.5				40										
Cont. Torque oz-in	111				277				416				416										
Peak Torque oz-in	333				555				833				833										

AGP42 PLANETARY GEARHEAD

Gear Ratio	4	14	17.3	24	49	60.7	84	104	144	212.3	294	504	624	702	864
Stage	1		2		3		4								
Eff. %	81		73		65		60								
Dim. "L"	33		39		46		53								
Cont. Torque oz-in	69		139		277		416								
Peak Torque oz-in	208		416		833		1250								