

The Possibilities Are Endless. These small Brushless DC Motors offer reliability, robust construction, design flexibility, power density and the patented advantage that only comes with the "Parallex" motor

APPLICATIONS:

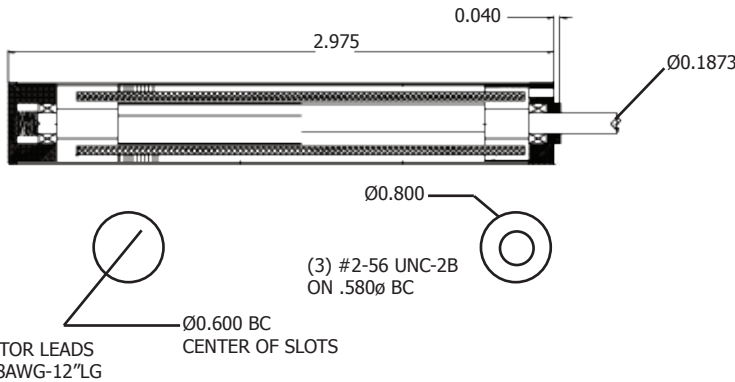
- Automotive
- Aerospace
- Military Hardware
- Marine Pumps
- Dental Drills
- Rehabilitation Equipment
- Cleaning Equipment
- Hand Power Tools
- Robotics
- Medical Instruments
- Home Appliances
- Computer Hardware

AVAILABLE OPTIONS:

- Controllers
- Gearheads
- Encoders
- Halls
- Dual shafts
- Flat shafts
- Sealed
- RF/EMI Compliance
- Premium Bearings
- Prototypes Available



DIAMETER: 0.8 In.
 LENGTH: 2.09 or 2.975 In.
 CONTINUOUS TORQUE: 2.10 to 5.19 oz-in
 PEAK TORQUE: 18.0 to 54.3 oz-in
 WEIGHT: 2.8 to 3.75 oz



TYPE BI08 WINDING DATA	Reference Voltage	Torque Constant	Terminal Resistance	Back EMF Constant	Coil Inductance	Peak Current
	Volts	Oz-in/Amp	Ohms	Volts/Krpm	µH	amps
	Vr	Kt	Rm	Ke	L	Ipk
ALN002BI087511S	24	1.43	1.90	1.05	110	12.6
ALN002BI087557S	24	0.76	1.14	0.56	60	21.0
ALN002BI0815015S	24	2.09	5.16	1.54	100	4.65
ALN002BI0815070S	24	0.95	0.42	0.70	55	57.0

TYPE BI08 PERFORMANCE DATA	Cont. Torque	Peak Torque (Stall)	Friction Torque	No Load Speed	Rotor Inertia	Motor Constant	Electrical Time Constant	Mech. Time Constant	Damping Constant	Max Winding Temp	Thermal Res.	Weight
	Oz-in	Oz-in	Oz-in	rpm	Oz-in-s ²	Oz-in/sqrt(W)	µs	mS	Oz-in/Krpm	°C	°C/Watt	Oz
	Tc	Tpk	Tf	ω ₀	Jr	Km	Te	Tm	Kd	Θ _{max}	R _{th}	W
ALN002BI087511S	3.10	18.0	0.07	22,750	2.97 x 10 ⁻⁵	1.04	58	4.5	0.005	135	13	3.75
ALN002BI087557S	2.10	21.0	0.07	42,725	2.97 x 10 ⁻⁵	0.72	53	6.0	0.005	135	13	3.75
ALN002BI0815015S	3.26	9.23	0.15	15,525	5.94 x 10 ⁻⁵	0.92	20	6.0	0.005	135	9.0	2.8
ALN002BI0815070S	5.19	54.3	0.15	34,175	5.94 x 10 ⁻⁵	1.47	131	6.0	0.005	135	9.0	2.8

PATENTED ADVANTAGE:

POWER DENSITY:

ROBUST CONSTRUCTION:

RELIABILITY:

DESIGN FLEXIBILITY:

Coil Winding Geometry Optimizes Flux In The Magnetic Circuit

High Energy NdFeB Rare Earth Magnets Enhance Motor Performance

All Models Feature Corrosion Resistant Steel Housings

Precision ABEC Bearings & Balanced Rotors Render Smooth, Quiet Operation

Variety of Performance Options Available In One Standard Frame Size