

The Possibilities Are Endless. These small Brushless DC Motors offer reliability, robust construction, design flexibility, power density and the patented advantage that only comes with the "Parallex" motor



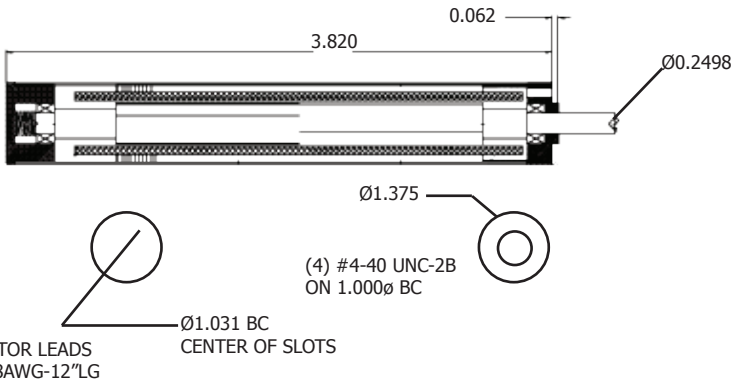
APPLICATIONS:

- Automotive
- Aerospace
- Military Hardware
- Marine Pumps
- Dental Drills
- Rehabilitation Equipment
- Cleaning Equipment
- Hand Power Tools
- Robotics
- Medical Instruments
- Home Appliances
- Computer Hardware

AVAILABLE OPTIONS:

- Controllers
- Gearheads
- Encoders
- Halls
- Dual shafts
- Flat shafts
- Sealed
- RF/EMI Compliance
- Premium Bearings
- Prototypes Available

DIAMETER: 1.375 In.
 LENGTH: 3.070 or 3.820 In.
 CONTINUOUS TORQUE: 9.98 to 27.94 oz-in
 PEAK TORQUE: 34.15 to 542.95 oz-in
 WEIGHT: 13.0 to 15.0 oz



TYPE BI14 WINDING DATA	Reference Voltage	Torque Constant	Terminal Resistance	Back EMF Constant	Coil Inductance	Peak Current
	Volts	Oz-in/Amp	Ohms	Volts/Krpm	µH	amps
	Vr	Kt	Rm	Ke	L	Ipk
ALN002BI147524S	24	3.23	2.27	2.39	100	10.5
ALN002BI147510S	24	1.39	0.17	1.02	60	145
ALN002BI1415034S	24	4.62	1.15	3.42	100	20.8
ALN002BI1415010S	24	1.38	0.61	1.02	55	393

TYPE BI14 PERFORMANCE DATA	Cont. Torque	Peak Torque (Stall)	Friction Torque	No Load Speed	Rotor Inertia	Motor Constant	Electrical Time Constant	Mech. Time Constant	Damping Constant	Max Winding Temp	Thermal Res.	Weight
	Oz-in	Oz-in	Oz-in	rpm	Oz-in-s ²	Oz-in/sqrt(W)	µs	mS	Oz-in/Krpm	°C	°C/Watt	Oz
	Tc	Tpk	Tf	ωo	Jr	Km	Te	Tm	Kd	Θmax	Rth	W
ALN002BI147524S	9.98	34.15	1.0	10,025	4.7 x 10 ⁻⁵	2.15	44	1.5	0.005	135	5.2	13.0
ALN002BI147510S	15.08	200.7	1.0	23,400	4.7 x 10 ⁻⁵	3.41	353	1.5	0.005	135	5.2	13.0
ALN002BI1415034S	21.58	96.42	1.0	7,025	9.4 x 10 ⁻⁵	4.32	87	1.50	0.005	135	4.5	15.0
ALN002BI1415010S	27.94	542.95	1.0	23,400	9.4 x 10 ⁻⁵	5.63	91	1.50	0.005	135	4.5	15.0

PATENTED ADVANTAGE:

POWER DENSITY:

ROBUST CONSTRUCTION:

RELIABILITY:

DESIGN FLEXIBILITY:

Coil Winding Geometry Optimizes Flux In The Magnetic Circuit

High Energy NdFeB Rare Earth Magnets Enhance Motor Performance

All Models Feature Corrosion Resistant Steel Housings

Precision ABEC Bearings & Balanced Rotors Render Smooth, Quiet Operation

Variety of Performance Options Available In One Standard Frame Size