

ALG006SG SERIES

WORM GEARBOXES

Worm Gearboxes SG**SG 62**

The gearbox output shaft runs in self lubricating sintered bushes, as standard, there is a single output shaft on the left-hand side. Special versions are available with ball bearings.

SG 65

This very slim gearbox is only available on request in batches > 500 pieces.

SG 80/ SG 80 K

The gearbox output shaft runs in ball bearings as standard. There is a single output shaft on the left-hand side. Special, plastic versions are also available.

SG 80 H

Gearbox with hollow output shaft.

SGF 120

The gearbox output shaft runs in ball bearings as standard. There is a single output shaft on the left-hand side.

SG 120

Foot-mounting gearbox with die-cast zinc housing.

SG 120 H

Gearbox with hollow output shaft. Only available on request in batches > 100 pieces.

SG 80 + PLG 52.0

The SG 80 is also available with planetary gearbox PLG 52.0 as the output stage. This is just one example of the numerous possible gearbox combinations.



ALG006SG SERIES

WORM GEARBOXES

Worm Gearboxes SG

On all worm gearboxes, as standard, there is only one output shaft, which is on the left when looking from the gearbox end (WL1). Special versions are possible.

WL1 Standard version,
shaft on left



WL2 Special version,
shaft on right



WL3 Special version,
shafts on both sides



SG62							
Reduction ratio		8	15	23	35	46	72
Efficiency		0,6	0,55	0,5	0,45	0,4	0,3
Continuous torque	(Ncm)	150					
Weight of gearbox	(kg)	0.3					
Axial load Radial load	(N)	40/40					

SG80/SG80H								
Reduction ratio		5	10	15	24	38	50	75
Efficiency		0,7	0,65	0,55	0,5	0,4	0,35	0,25
Continuous torque	(Ncm)	400						
Weight of gearbox	(kg)	0.4						
Axial load Radial load	(N)	100/160						

ALG006SG SERIES

WORM GEARBOXES

SG120											
Reduction ratio		8	10	15	20	30	40	50	60	70	80
Efficiency		0,7	0,7	0,56	0,55	0,5	0,4	0,35	0,3	0,28	0,25
Continuous torque	(Ncm)	1500									
Weight of gearbox	(kg)	2.0									
Axial load Radial load	(N)	300/500									

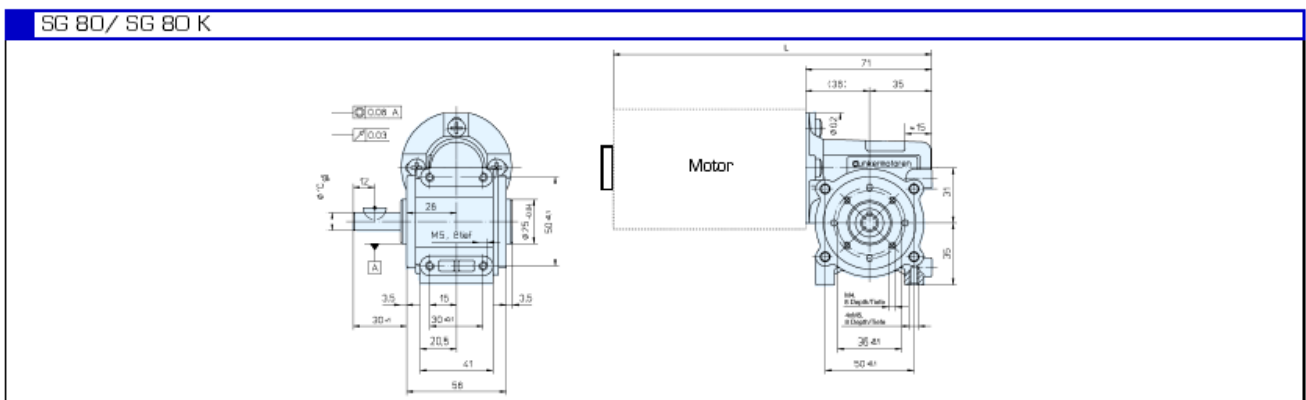
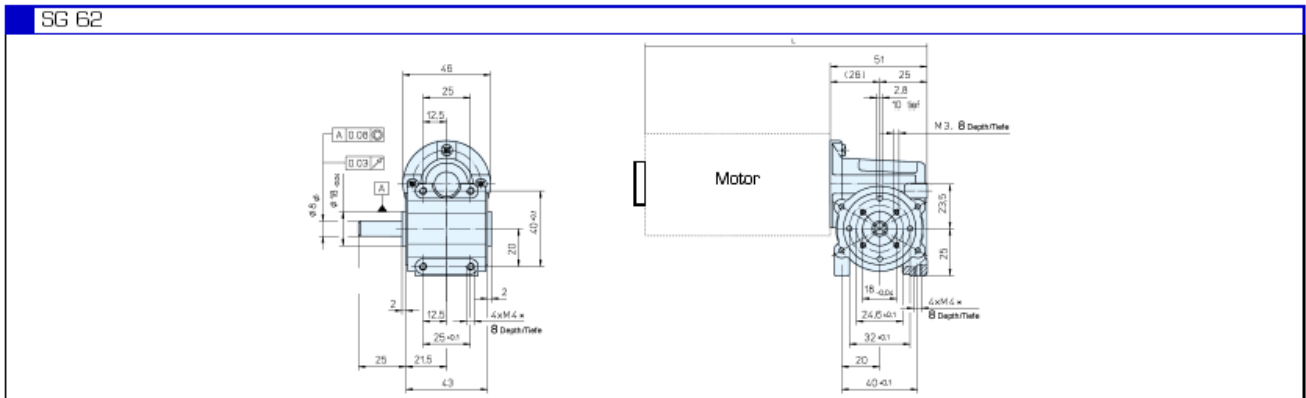
AG80 + PLG52.0 COMBINATION																						
Total reduction ratio		22	31	45	62	101	180	250	360	500	750	1200	1900	2500	4000	6000	9600	15200	20000	30000		
Reduction ratio SG80		5	5	10	10	5	5	5	10	10	15	24	38	50	10	15	24	38	50	75		
Reduction Ratio PLG52		4,5	6,25	4,5	6,25	20,25	36	50	36	50	50	50	50	50	400	400	400	400	400	400		
Continuous Torque	Ncm	700			800						2400											
Weight of Gearbox	kg	0.95			1.12						1.28											
Axial load/ Radial load	N	500/350			500/350						500/350											

ALG006SG SERIES Dimensions of SG

WORM GEARBOXES

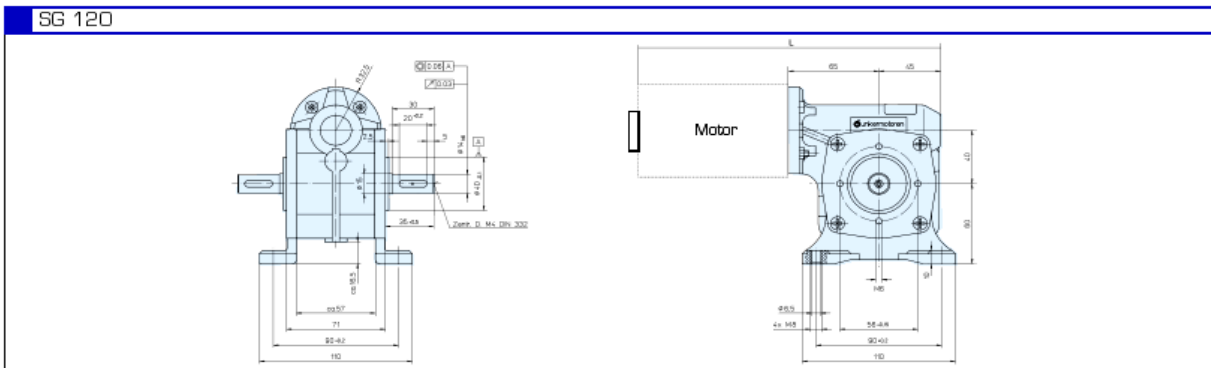
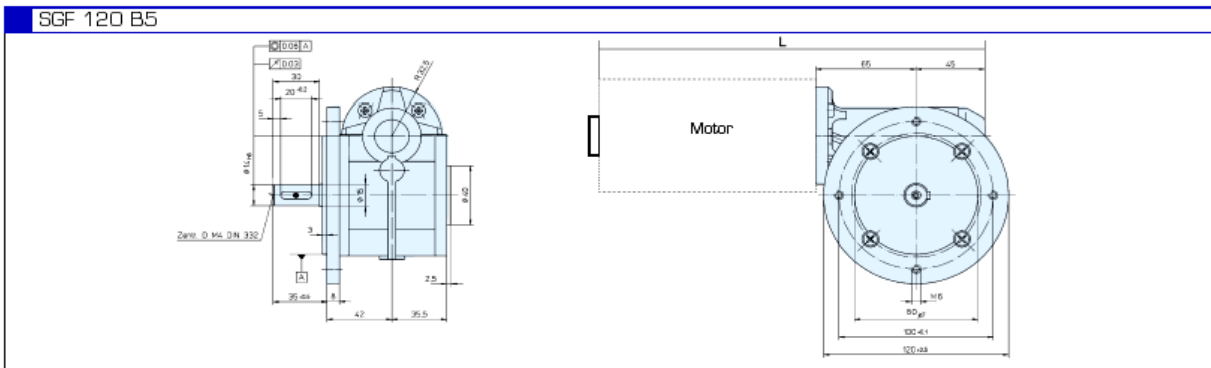
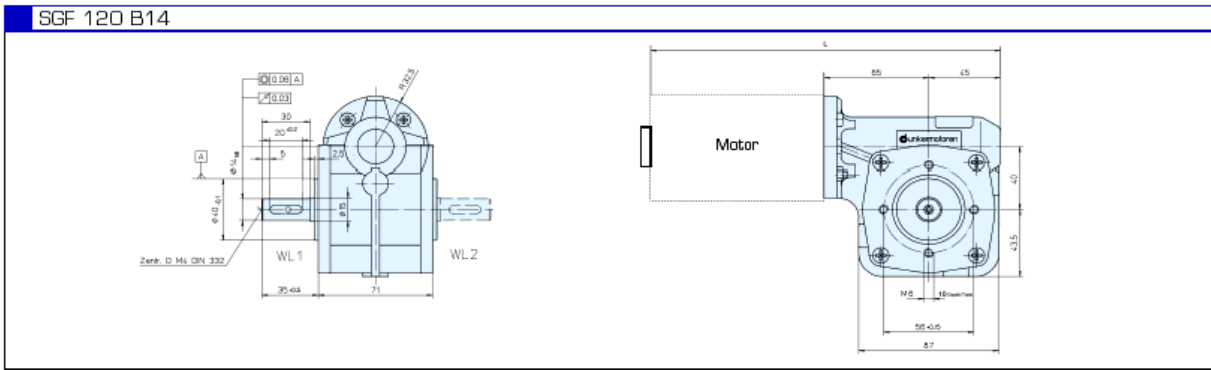
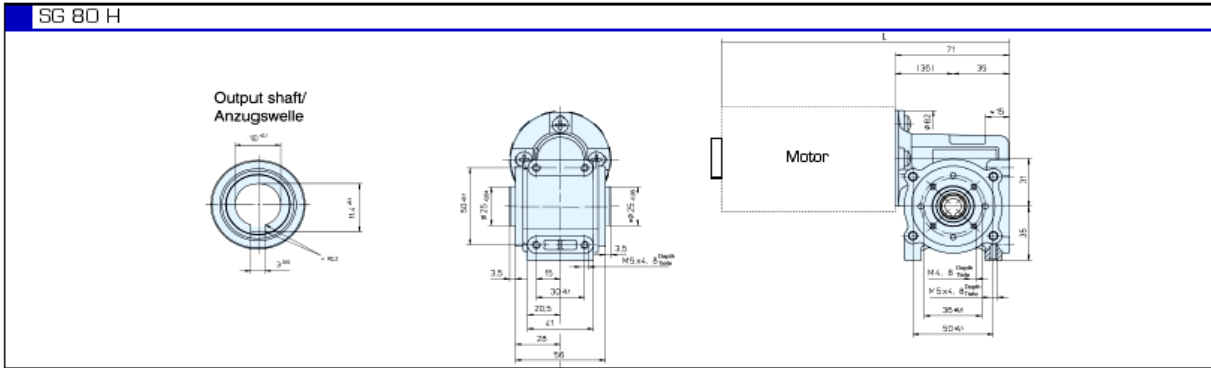
Lengths L motor gearbox combination (mm +/- 2)

	SG 62	SG 80	SG 120
BG 40x25	126		
BG 40x50	151		
BG 44x25 SI	151		
BG 44x50 SI	176		
BG 65x25		146	185
BG 65x50		171	210
BG 65x75		196	235
BG 65x25 KI		161	200
BG 65x50 KI		186	225
BG 65x75 KI		211	250
BG 65x25 SI		178	217
BG 65x50 SI		203	242
BG 65x75 SI		228	267
BG 65x25 CI		186	225
BG 65x50 CI		211	250
BG 65x75 CI		236	275
BG 83x90			310



ALG006SG SERIES

WORM GEARBOXES



Dimension drawings of complete drives (motor and gear) are available