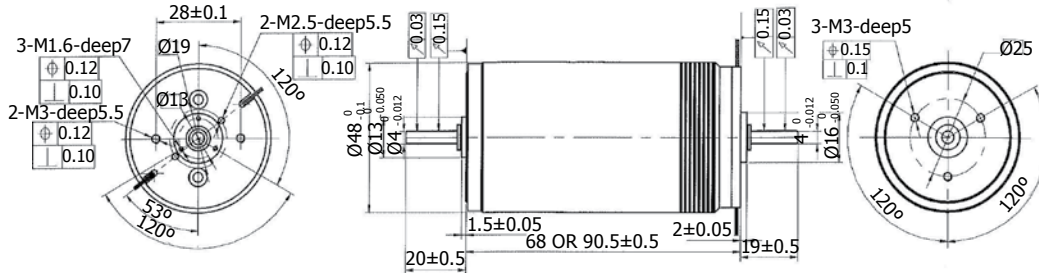


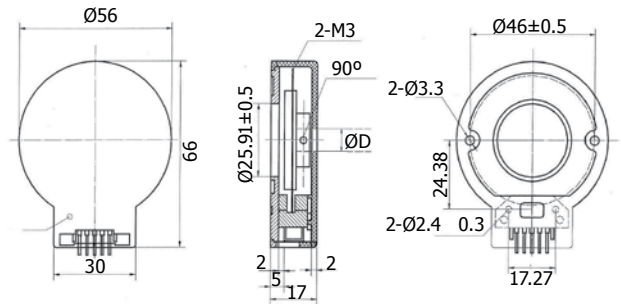
### MOTOR DATA - See inside cover for motor cross reference



### ENCODER DATA - See inside cover for motor cross reference

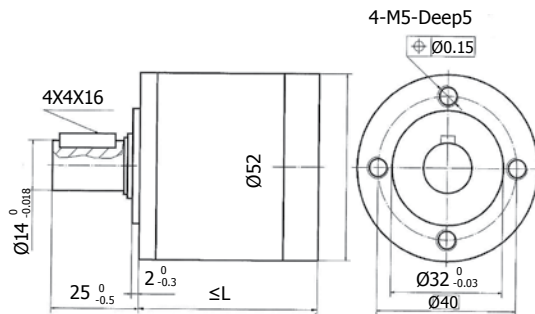
#### ECVK56

Output wave	Square wave
Output signals	A, B, Z phase
Output current	0~5mA
Response Frequency	0~100KHz
Output phase difference	90°±45°
Supply voltage	5V DC
Current consumption	≤40mA
Number of pulses	1000, 1024, 2000, 2048
Working temperature	-40 ~ 85°C
Protection class	IP50
150mm Cable Included	



### GEARHEAD DATA - See inside cover for motor cross reference

#### GAVK52



#### GEARHEAD RATIOS

Stage	Ratios		Length (mm)
1	4:1	6.75:1	47.8
	5.6:1		
2	16:1	12.66:1	60.3
	27:1		
3	64:1	151.2:1	68.8
	108:1		
	125.44:1		
4	256:1	501.8:1	77.3
	811.1:1		
5	1275.9:1	1537.9:1	85.8
	1024:1		

Stage	Length	Continuous Torque	Intermittent Torque	Efficiency	Backlash
	mm	Nm	Nm	%	°
1	47.8	2.5	5	90	≤0.5
2	60.3	8	10	81	≤0.8
3	68.8	20	25	73	≤1
4	77.3	30	45	66	≤1
5	85.8	40	50	59	≤1

Shaftload, max:(radial)	≤1000N
Shaftload, max:(axial)	≤500N
Shaft press fit force, max	≤1200N
Shaft play (on bearing output),(radial)	≤0.05mm
Shaft play (on bearing output),(axial)	≤0.1mm
Operating Temperature range	-30 ~ +155°C
Planetary Construction	