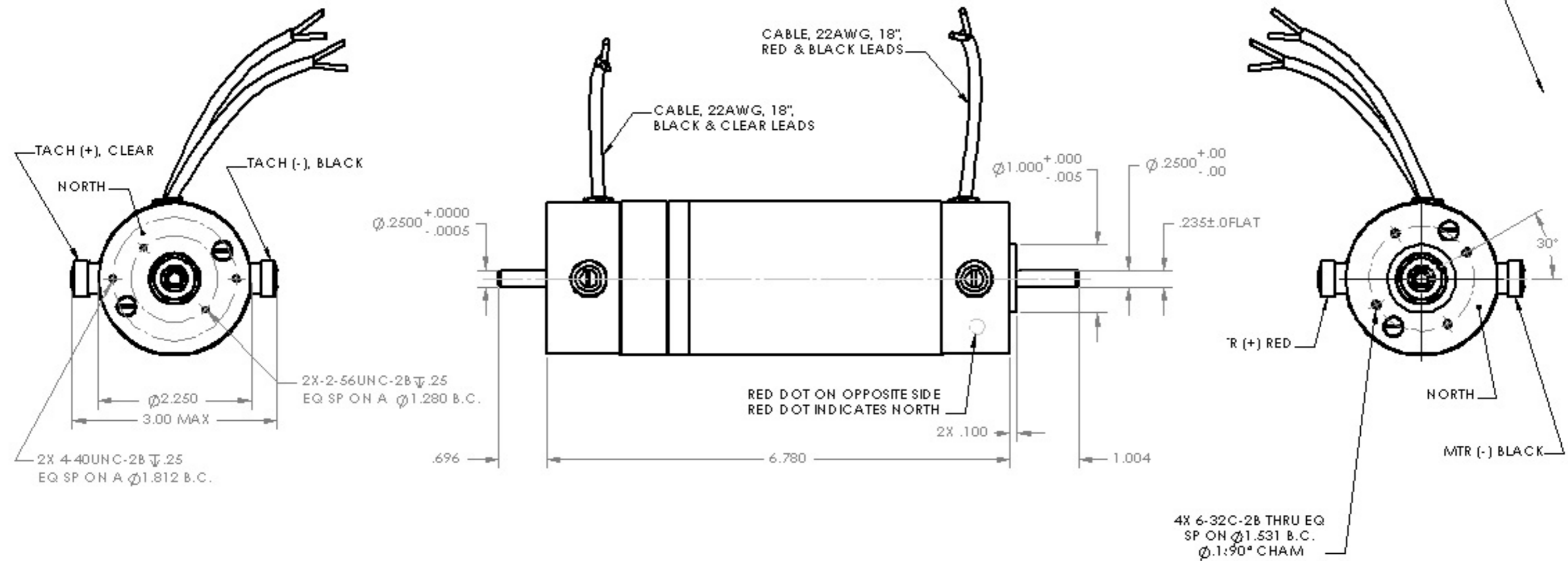




CLOCKWISE
DIRECTION OF ROTATION
WHEN VIEWED FROM THIS END
WITH + APPLIED TO TERMINAL #1



MOTOR CHARACTERISTICS			
RATED VOLTAGE D.C.	48	VOLTS	
RATED CURRENT	3.1	AMPS	
RATED TORQUE	40	OZ-IN	
RATED SPEED	4900	RPM	+/-15%
RATED POWER OUT	145	WATTS	+/-15%
NO LOAD SPEED	5600	RPM	+/-15%
NO LOAD CURRENT	0.64	AMPS	MAX
BACK EMF CONSTANT	8.4	V/KRPM	+/-10%
TORQUE CONSTANT	11	OZ-IN/AMP	+/-10%
DC ARMATURE RESISTANCE	1.5	OHMS	+/-15%
AT 1.5 AMPS			
STATIC FRICTION	3	OZ-IN	MAX
ENDPLAY WITH 5 POUND	0.005	INCHES	MAX
REVERSING			
SHAFT TIR	0.001	INCHES	MAX
ARMATURE INERTIA	0.007	OZ-IN/SEC ²	REF

TACH CHARACTERISTICS			
VOLTAGE OUTPUT	14	V/KRPM	+/-10%
RIPPLE (FILTERED)	5	P-T-P % OF MAX OUTPUT	MAX
D.C. RESISTANCE	170	OHMS	+/-20%
LINEARITY	1	%	MAX

OPERATING LIMITS			
SPEED	8000	RPM	MAX
ARMATURE TEMPERATURE	155	DEGREES C	MAX

TES:
PRECISION BALL BEARINGS ABEC 3 MINIMUM.
SHAFT MATERIAL 303 STAINLESS STEEL.