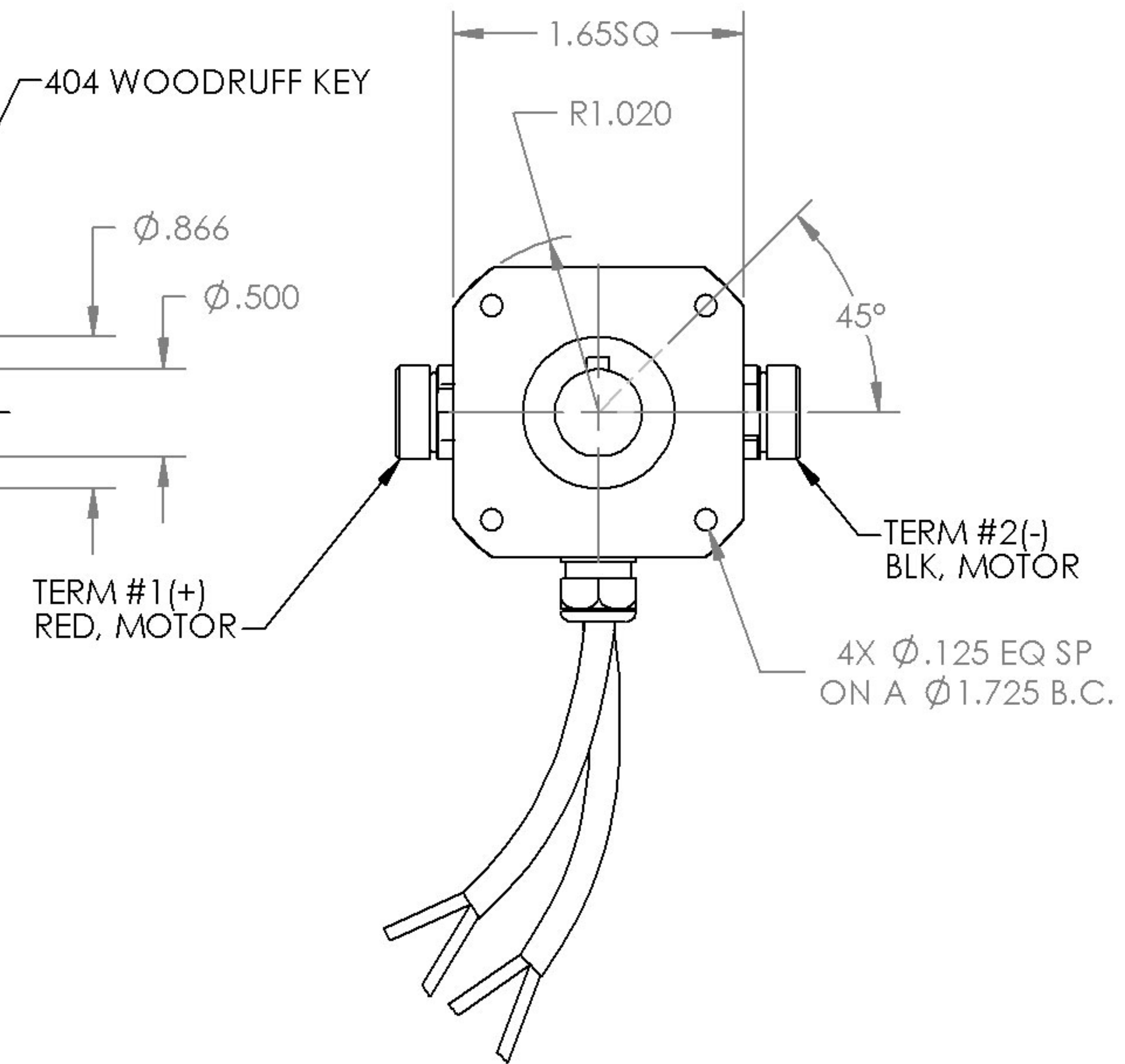
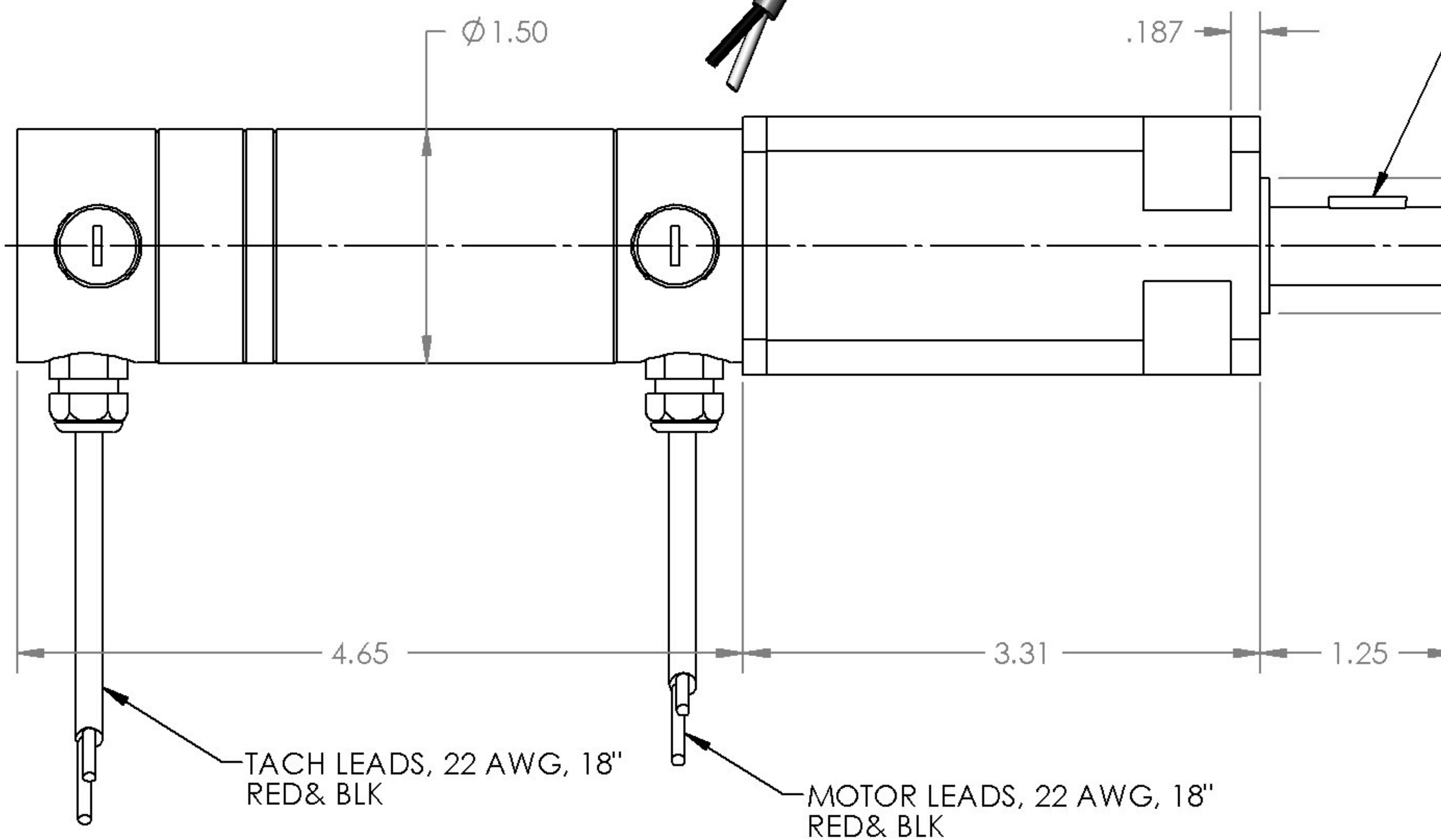
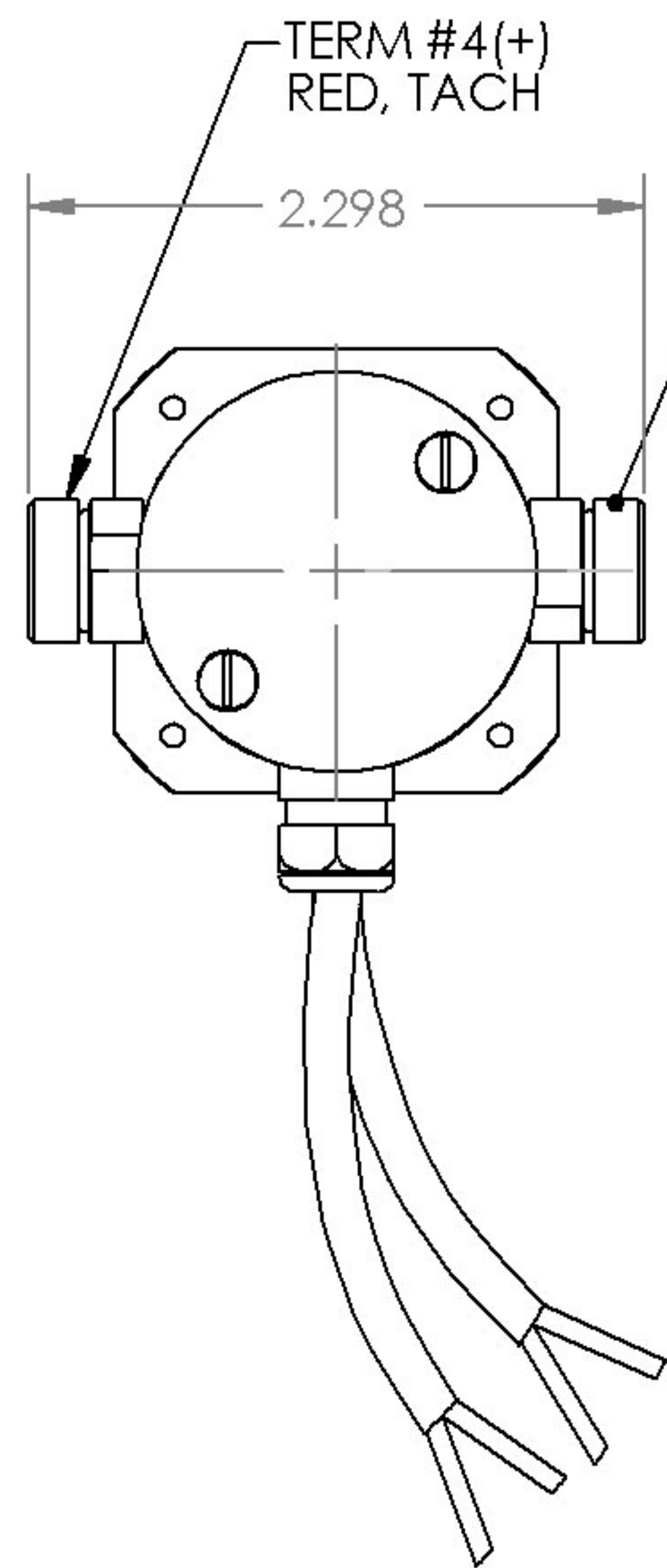


CLOCKWISE DIRECTION OF ROTATION
WITH + APPLIED TO TERMINAL #1
AND VIEWED FROM THIS END



MOTOR CHARACTERISTICS

RATED VOLTAGE D.C.	24	VOLTS	
RATED CURRENT	2.22	AMPS	
RATED TORQUE	3.78	OZ-IN	
RATED SPEED	6700	RPM	+/-15%
RATED POWER OUT	35	WATTS	+/-15%
NO LOAD SPEED	8000	RPM	+/-15%
NO LOAD CURRENT	0.4	AMPS	MAX
BACK EMF CONSTANT	2.8	V/KRPM	+/-10%
TORQUE CONSTANT	2.67	OZ-IN/AMP	+/-10%
DC ARMATURE RESISTANCE AT 1.5 AMPS	2.0	OHMS	+/-15%
STATIC FRICTION	0.5	OZ-IN	MAX
ENDPLAY WITH 5 POUND REVERSING	0.005	INCHES	MAX
SHAFT TIR	0.001	INCHES	MAX
ARMATURE INERTIA	0.0006	OZ-IN/SEC ²	REF

GEAR DATA

GEAR RATIO	100		
EFFICIENCY	85	%	
OUTPUT TORQUE	378	OZ-IN	
SIDE LOAD	400	LBS	MAX
OUTPUT SPEED	67	RPM	+/-15%
BACKLASH	10	ARC-MIN	NO LOAD
PEAK TORQUE	77	IN-LB	MAX

TACH CHARACTERISTICS

VOLTAGE OUTPUT	3	V/KRPM	+/-10%
RIPPLE (FILTERED)	5	P-T-P % OF MAX OUTPUT	MAX
D.C. RESISTANCE	14	OHMS	+/-20%
LINEARITY	1	%	MAX

OPERATING LIMITS

SPEED	10000	RPM	MAX
ARMATURE TEMPERATURE	155	DEGREES C	MAX

UNIT FEATURES:

- *Replaceable brushes
- *ABEC 3 or better ball bearings
- *Diamond machined commutators
- *Dynamically balanced armature
- *Rugged, durable design
- *O-Ring sealed at joints
- *-40° low temp grease