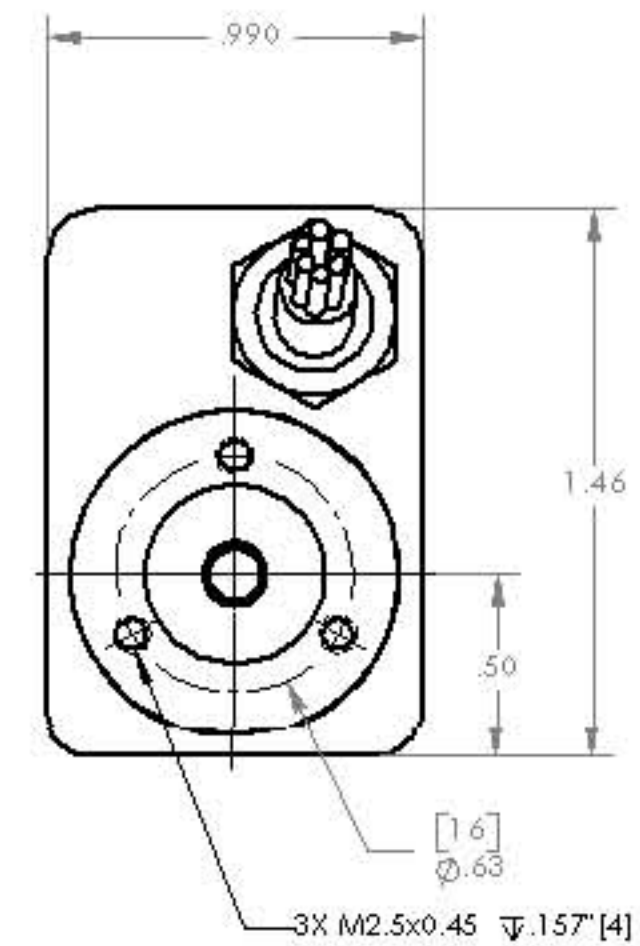
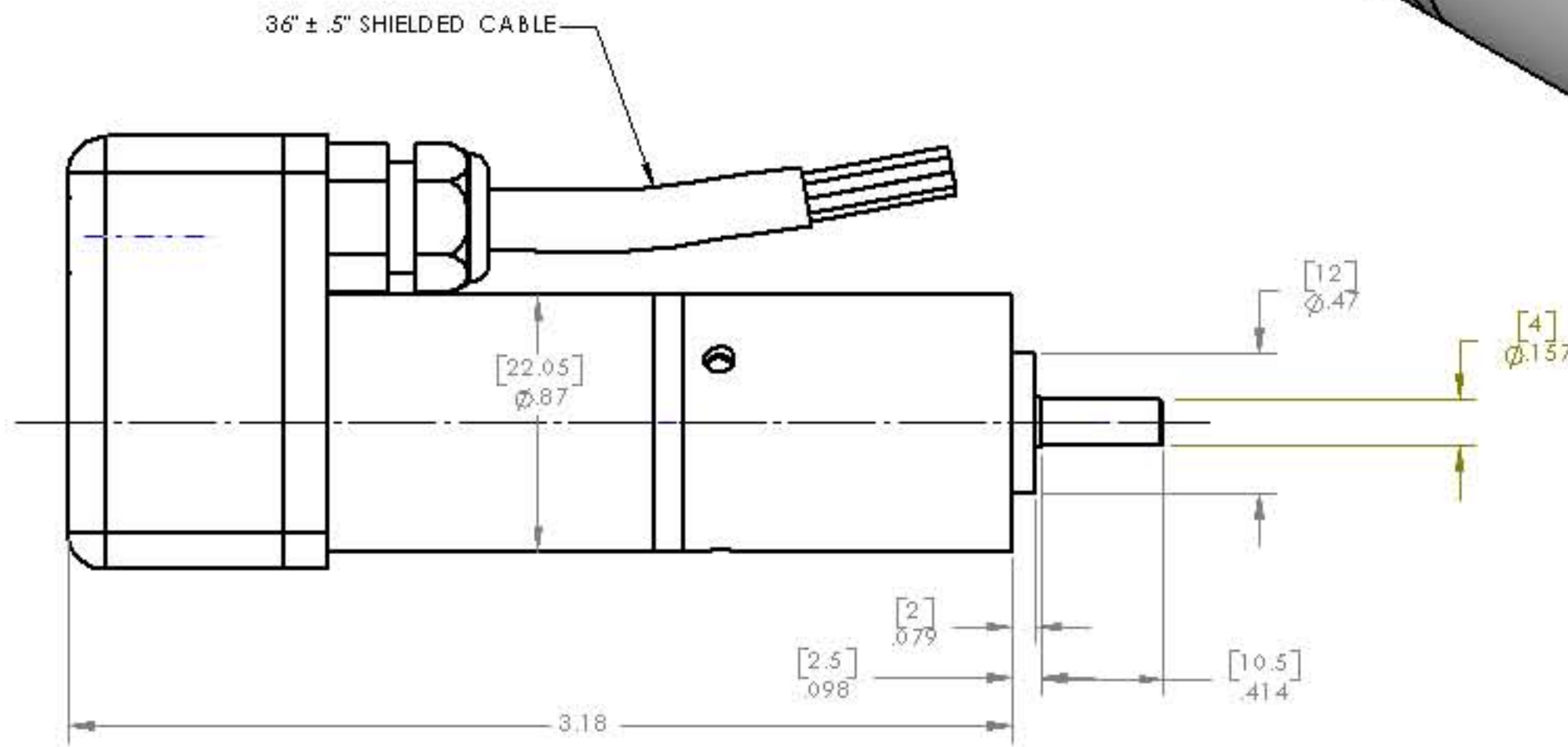
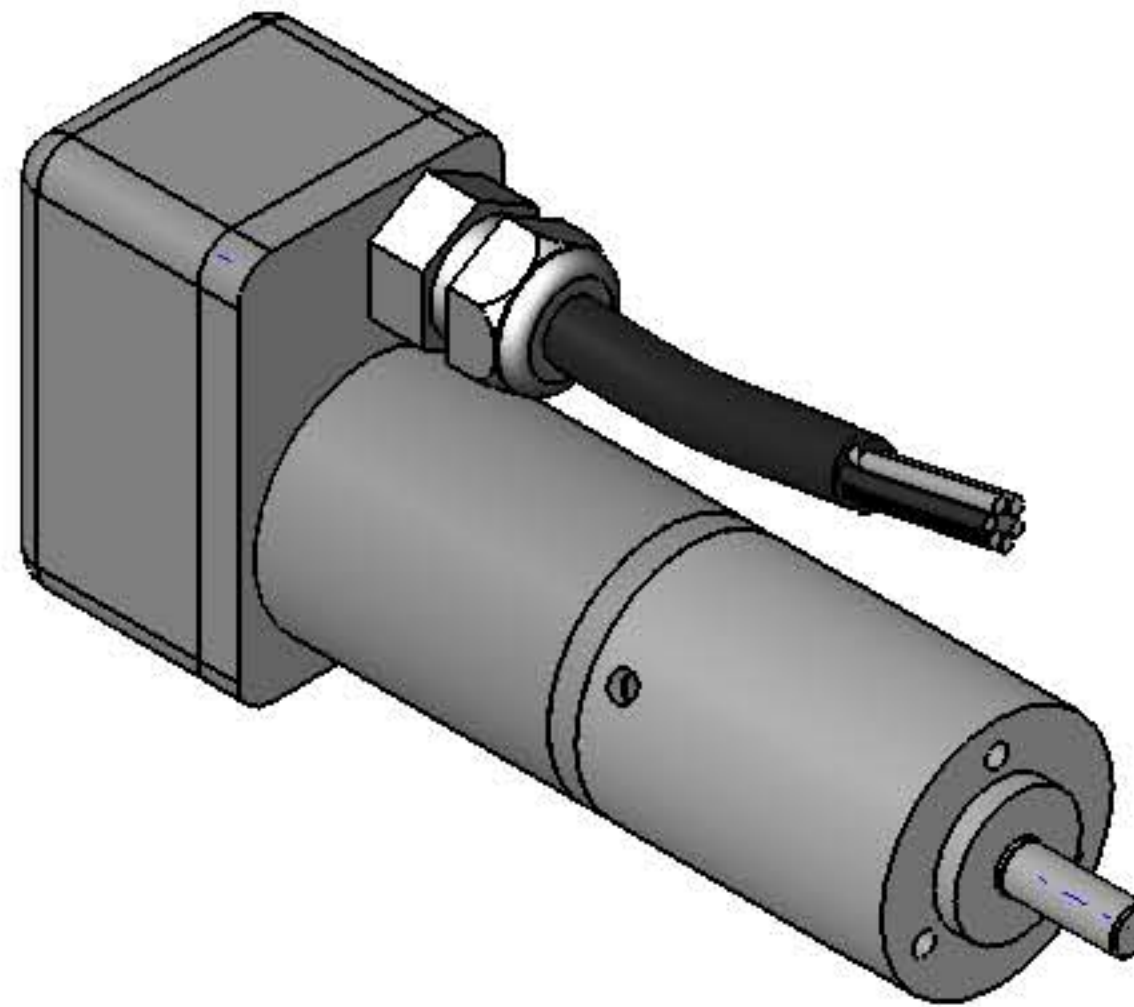


DYNETIC SYSTEMS

New Concepts In Motion



- UNIT FEATURES:
- * Stainless steel gearhead
 - * Aluminum parts plated per Mil-C-5541- type 1
 - * ABEC 3 or better ball bearings
 - * Rated for -55°C operation
 - * Krytox L-32 lubrication
 - * 4 pole 3 phase brushless

MOTOR CHARACTERISTICS			
RATED VOLTAGE D.C.	28	VOLTS	
RATED CURRENT	0.16	AMPS	
RATED TORQUE	1.5	OZ-IN	
RATED SPEED	3400	RPM	+/-15%
RATED POWER OUT	10	WATTS	+/-15%
NO LOAD SPEED	4,000	RPM	+/-15%
NO LOAD CURRENT	TBD	AMPS	MAX
BACK EMF CONSTANT	7	V/KRPM	Est
TORQUE CONSTANT	9.4	OZ-IN/AMP	Est
LINE to LINE RESISTANCE	20	OHMS	Est
FRICTION TORQUE	0.5	OZ-IN	MAX
ENDPLAY WITH 5 POUND REVERSING	.005	INCHES	MAX
SHAFT TIR	0.0005	INCHES	MAX
ARMATURE INERTIA	0.00005	OZ-IN/SEC ²	Est

GEAR DATA			
GEAR RATIO	49:1		
EFFICIENCY	90	%	
OUTPUT TORQUE	4.4	IN-LB	
SIDE LOAD	7.0	LBS	MAX
OUTPUT SPEED	79	RPM	+/-15%
BACKLASH	20	ARC-MIN	NO LOAD
PEAK TORQUE	8.8	IN-LB	MAX

ENCODER DATA						
*1000 LINE, SQUARE WAVE TWO CHANNEL QUADRATURE OUTPUT WITH INDEX AND COMMUTATION SIGNALS						
*3 COMMUTATION CHANNELS						
*5VDC INPUT POWER, OPEN COLLECTOR OUTPUT						
ENCODER PINOUT:	PIN 1	GRN	U	PIN 5	BLU/WHT	B-
	PIN 2	BRN	V	PIN 6	ORN	INDEX
	PIN 3	VIO	W	PIN 7	ORN/WHT	INDEX-
	PIN 4	YEL	A	PIN 8	RED	VCC
	PIN 3	YEL/WHT	A-	PIN 7	BLK	GND
	PIN 4	BLU	B	PIN 8		