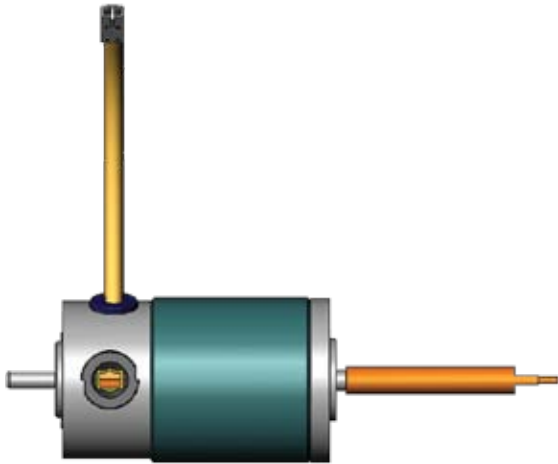


MS15 SERIES

MODEL MS1509-XX/C

Custom designed hollow shaft brush motor directly drives centrifuge bowl. Precision ground stainless steel shaft, internal EMI Filter. Polished shaft extension for vacuum seal.



- Replaceable Brushes
- ABEC 5 or better Ball Bearings
- Hollow Shaft
- Internal EMI Filter
- Rugged, durable design
- Dynamically balanced armature

DRAWING

