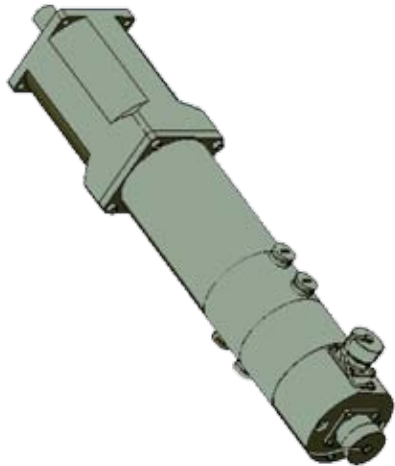


MS31 SERIES

MODEL MS3130-04/T3-03/GCM-055/C



Antenna Actuator Assembly. Brushed DC motor, tachometer, planetary gearhead, hand crank interface, connectorization. Sealed. CARC paint. Extreme temperature modifications. Salt water protection. Presently deployed in the field.

- 75 Volts
- 426 Watts
- Motor bearings ABEC 3 Minimum
- Double Rubber Seals
- COTS Availability
- 9 lbs unit weight

DRAWING

PIN DESIGNATION	FUNCTION
C	DRIVE (+)
M	DRIVE (-)
B	DRIVE SHLD
G	DRIVE (+)
L	DRIVE (-)
H	DRIVE SHLD
J	UNUSED
K	UNUSED
A	UNUSED
D	TACH (+)
E	TACH (-)
F	TACH SHLD

*ALL UNUSED HOLES SHALL HAVE CONTACTS INSTALLED

