

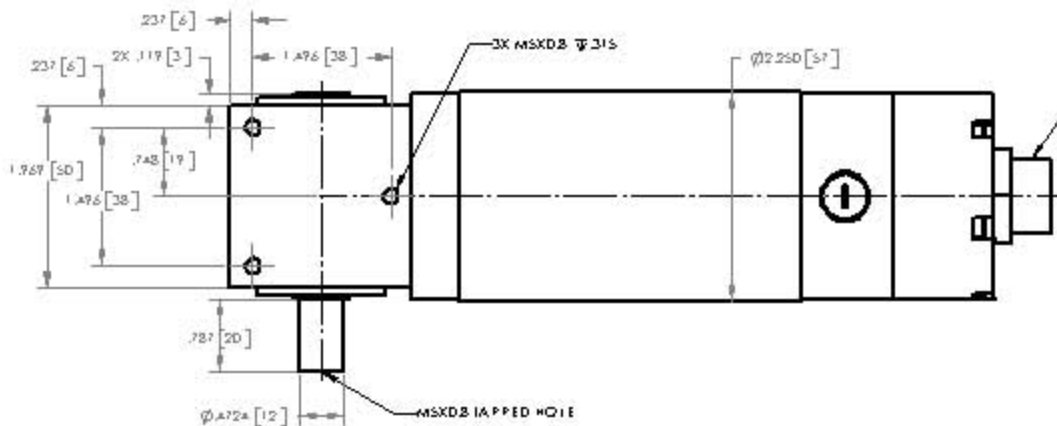
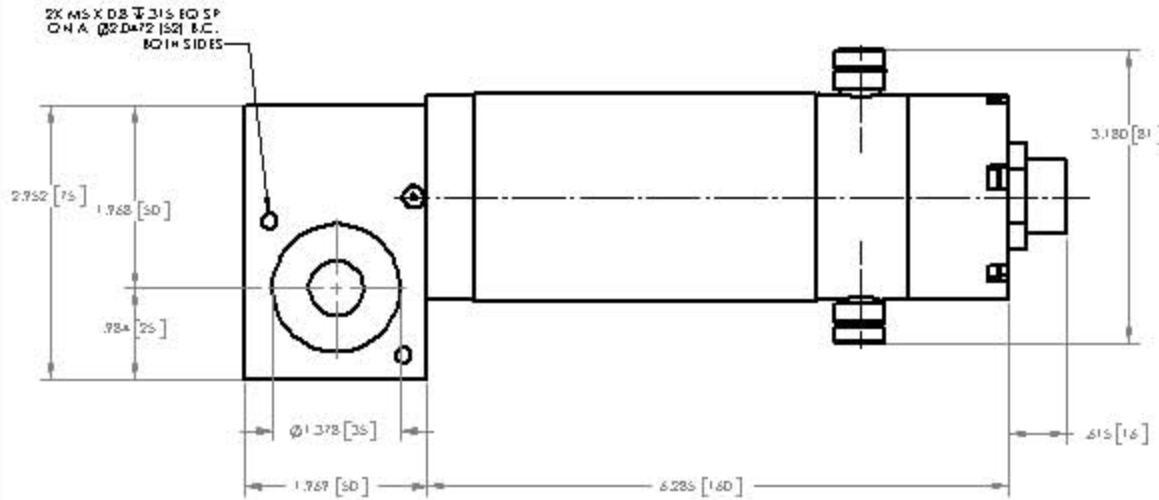
CONNECTOR:  
 MFC: BRAD HARRISON  
 103000AD12SD  
 PREMOIDED CONNECTOR  
 WITH 25' POUCH SERVICE  
 CORD.



GEAR DATA			
GEAR RATIO	60:1		
EFFICIENCY	40	%	
OUTPUT TORQUE	708	IN-OZ	CONT
SIDE LOAD	34	LBS	MAX
OUTPUT SPEED	55	RPM	+/-15%
BACKLASH	30	ARC-MIN	NO LOAD

MOTOR CHARACTERISTICS			
RATED VOLTAGE D.C.	15	VOLTS	
RATED CURRENT	9.7	AMPS	
RATED TORQUE	40	OZ-IN	
RATED SPEED	4200	RPM	+/-15%
RATED POWER OUT	1.45	WATTS	+/-15%
NO LOAD SPEED	5600	RPM	+/-15%
NO LOAD CURRENT	1.35	AMPS	MAX
BACK EMF CONSTANT	2.7	V/KRPM	+/-10%
TORQUE CONSTANT	3.7	OZ-IN/AMP	+/-10%
DC ARMATURE RESISTANCE AT 1.5 AMPS	0.21	OHMS	+/-15%
STATIC FRICTION	3	OZ-IN	MAX
ENDPLAY WITH 5 POUND REVERSING	0.005	INCHES	MAX
SHAFT TIR	0.001	INCHES	MAX
ARMATURE INERTIA	0.007	OZ-IN/SEC <sup>2</sup>	REF

OPERATING LIMITS			
SPEED	8000	RPM	MAX
ARMATURE TEMPERATURE	155	DEGREES C	MAX



CONNECTOR:  
 MFC: BRAD HARRISON  
 PN: 103000A2DA12D  
 MATING CONNECTOR  
 ALSO PROVIDED:  
 SEE NOTE ABOVE

