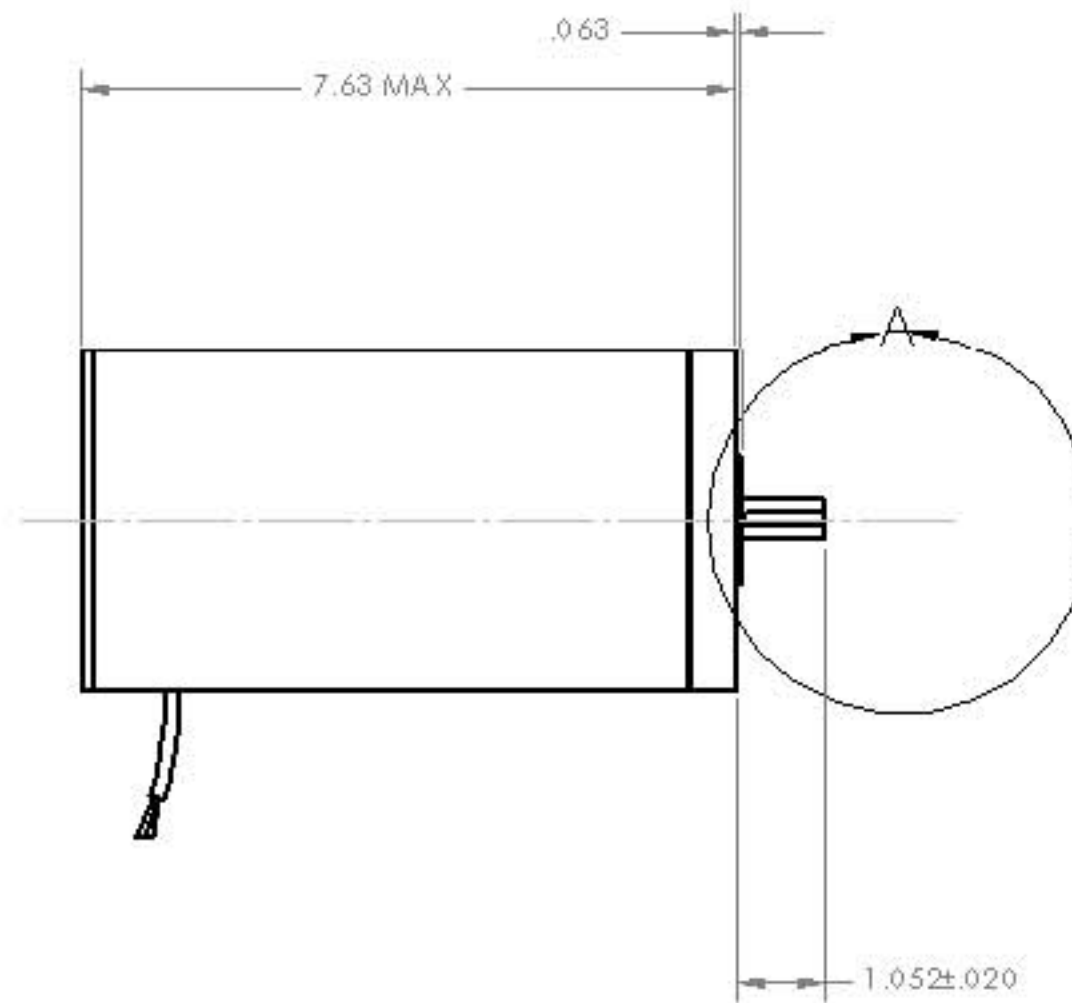
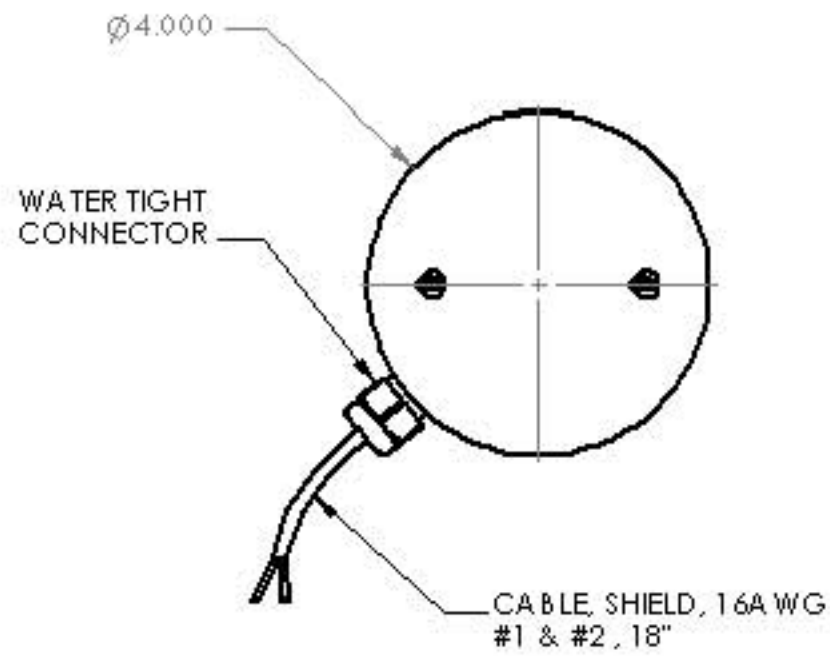
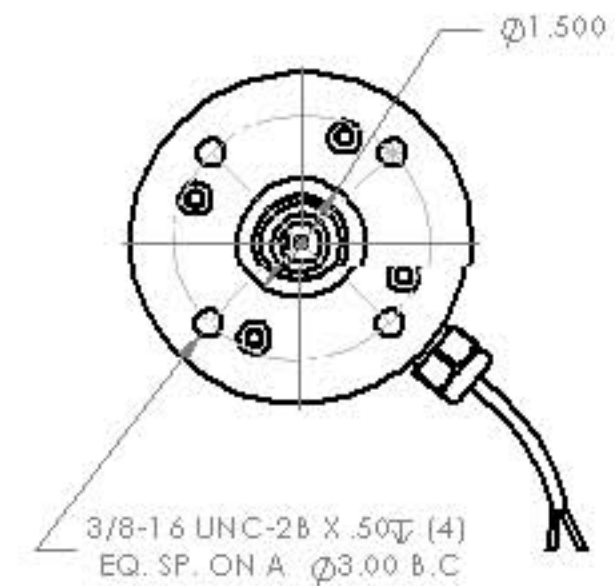


DETAIL A
SCALE 1:1



DIRECTION OF MOTOR ROTATION
WITH + APPLIED TO #1 LEAD WIRE
AND VIEWED FROM THIS END.
CW



MOTOR CHARACTERISTICS			
RATED VOLTAGE D.C.	24	VOLTS	
RATED CURRENT	13	AMPS	
RATED TORQUE	75	OZ-IN	
RATED SPEED	4000	RPM	+/-15%
RATED POWER OUT	222	WATTS	+/-15%
NO LOAD SPEED	4500	RPM	+/-15%
NO LOAD CURRENT	0.97	AMPS	MAX
BACK EMF CONSTANT	4.8	V/KRPM	+/-10%
TORQUE CONSTANT	6.4	OZ-IN/AMP	+/-10%
DC ARMATURE RESISTANCE AT 1.5 AMPS	0.17	OHMS	+/-15%
STATIC FRICTION	7	OZ-IN	MAX
ENDPLAY WITH 5 POUND REVERSING	0.005	INCHES	MAX
SHAFT TIR	0.002	INCHES	MAX
ARMATURE INERTIA	0.022	OZ-IN/SEC ²	REF
MOTOR WEIGHT	12.1	LBS.	REF

GEAR DATA			
GEAR RATIO	20:1		
EFFICIENCY	86	%	
OUTPUT TORQUE	80	IN-LBS	
SIDE LOAD	25	LBS	MAX
OUTPUT SPEED	200	RPM	+/-15%
BACKLASH	3	DEGREES	NO LOAD
PEAK TORQUE	200	IN-LB	MAX

OPERATING LIMITS			
SPEED	5000	RPM	MAX
ARMATURE TEMPERATURE	155	DEGREES C	MAX

MS3112-01/GM-020/C
SEALED MOTOR