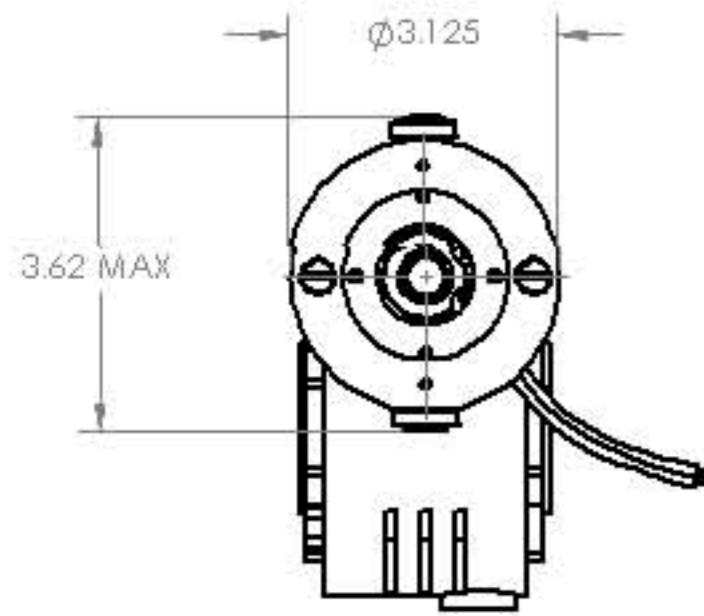


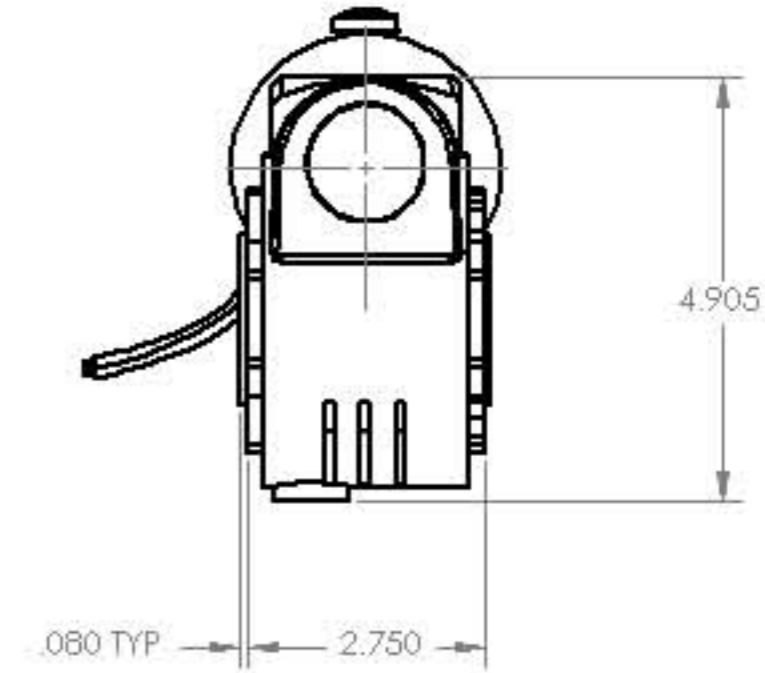
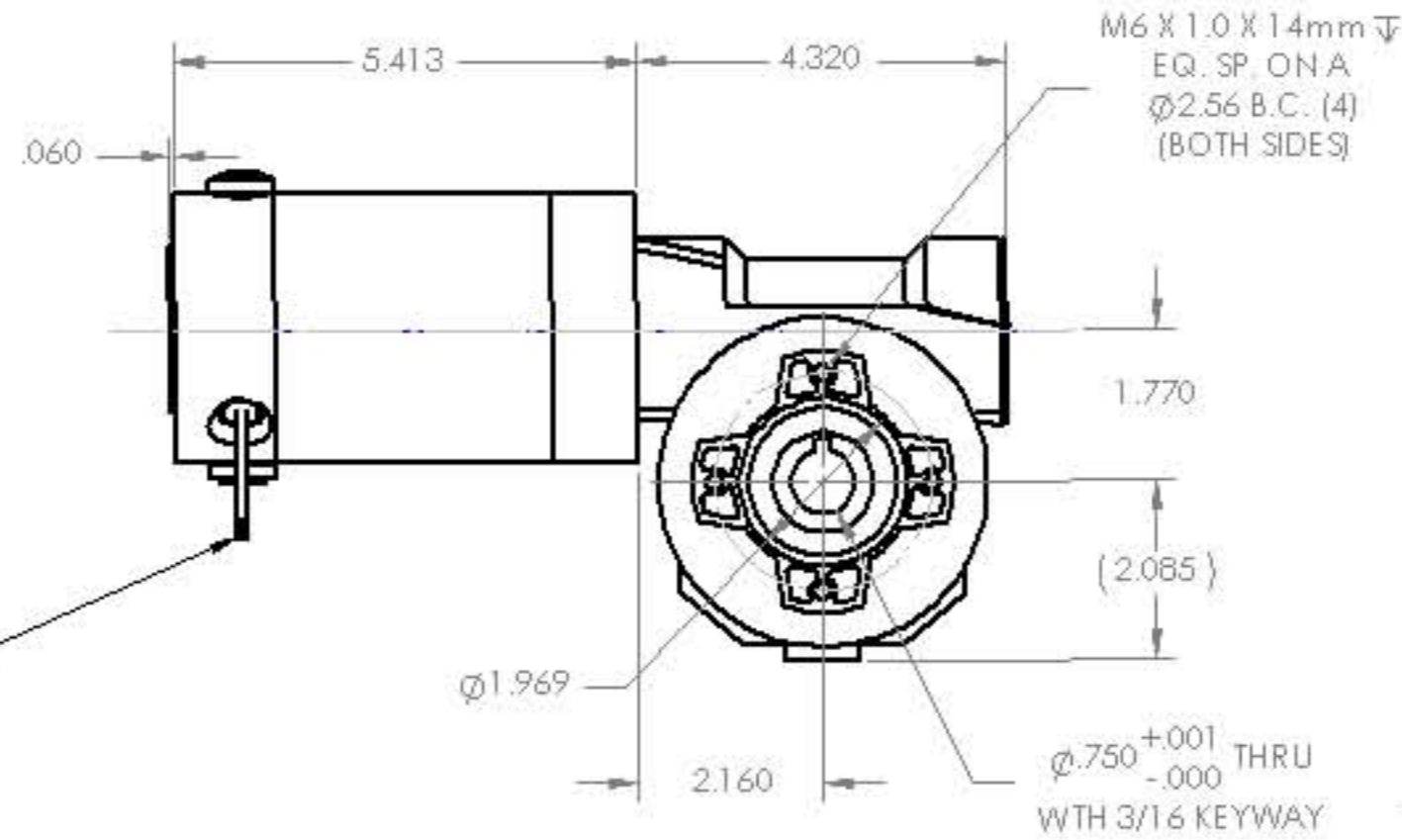


DIRECTION OF MOTOR ROTATION  
WITH (+) APPLIED TO RED LEAD WIRE  
AND VIEWED FROM THIS END

CW



18 AWG, 24"  
BLACK & RED



MOTOR CHARACTERISTICS

RATED VOLTAGE D.C.	@24	10.7	
RATED CURRENT	6.7	AMPS	
RATED TORQUE	75	OZ-IN	
RATED SPEED	1800	RPM	+/-1.5%
RATED POWER OUT	222	WATTS	+/-1.5%
NO LOAD SPEED	2450	RPM	+/-1.5%
NO LOAD CURRENT	0.77	AMPS	MAX
BACK EMF CONSTANT	9.7	V/KRPM	+/-1.0%
TORQUE CONSTANT	13.2	OZ-IN/AMP	+/-1.0%
DC ARMATURE RESISTANCE AT 1.5 AMPS	0.63	OHMS	+/-1.5%
STATIC FRICTION	7	OZ-IN	MAX
ENDPLAY WITH 5 POUND REVERSING	0.005	INCHES	MAX
SHAFT TIR	0.002	INCHES	MAX
ARMATURE INERTIA	0.022	OZ-IN/SEC2	REF

OPERATING LIMITS

SPEED	5000	RPM	MAX
ARMATURE TEMPERATURE	155	DEGREES C	MAX

GEAR DATA

GEAR RATIO	21:1		
EFFICIENCY	80	%	
OUTPUT TORQUE	79	IN-LB	
SIDE LOAD	260	LBS	MAX
OUTPUT SPEED	86	RPM	+/-15%
BACKLASH	90	ARC-MIN	NO LOAD
PEAK TORQUE	525	IN-LB	MAX

Features:

- ABEC 3 Ball Bearings
- Vent free, Factory lubricated
- Synthetic Gear lubricant
- Resin/RT Vacuum Impregnated (MIL-STD-276) cast aluminum gear housing
- Alloy Steel Output Shafting
- Hardened, Ground Worm Gear
- Compact, light weight design
- Rugged, Durable Design
- Unit Weight - 9.50 Lbs Approx.

MS3112-04/GH(RA)-021/C  
MOTOR GEARHEAD