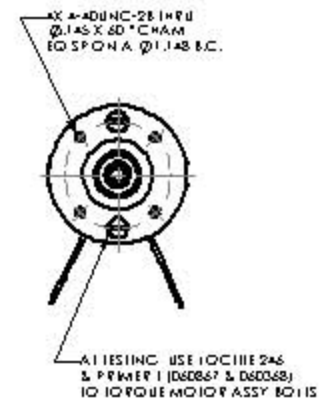
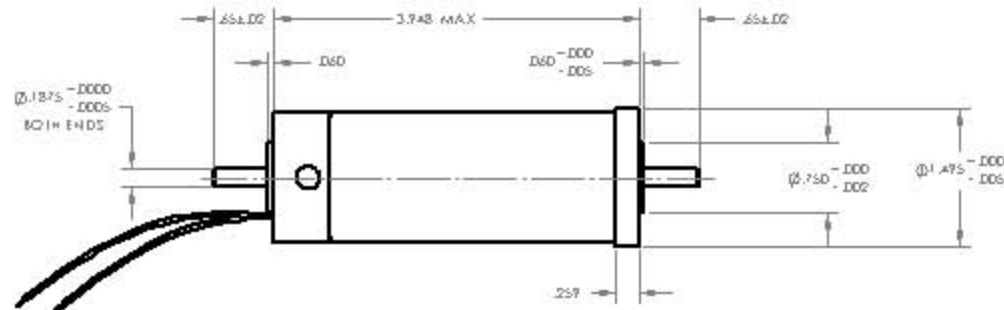
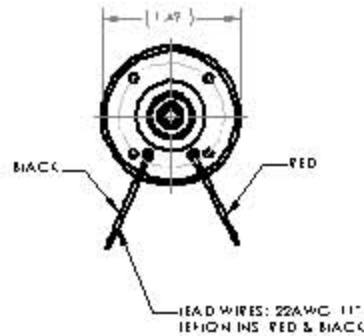


DIRECTION OF MOTOR ROTATION
 WITH - APPLIED TO RED LEAD WIRE
 AND VIEWED FROM THE END
 CW



MOTOR CHARACTERISTICS			
RATED VOLTAGE D.C.	0.34	VOLTS	
RATED CURRENT	1	AMPS	
RATED TORQUE	10	OZ-IN	
RATED SPEED	4600	RP/M	+/-1.5%
RATED POWER OUT	30	WATTS	+/-1.5%
NO LOAD SPEED	5600	RP/M	+/-1.5%
NO LOAD CURRENT	0.1	AMPS	MAX
BACK EMF CONSTANT	6	V/KRPM	+/-1.0%
TORQUE CONSTANT	8.17	OZ-IN/AMP	+/-1.0%
D.C. ARMATURE RESISTANCE AT 1.5	5.1	OHMS	+/-1.5%
STATIC FRICTION	0.8	OZ-IN	MAX
ENDPLAY WITH 5 POUND REVERSING	0.005	INCHES	MAX
SHAFT TIR	0.001	INCHES	MAX
ARMATURE INERTIA	0.001	OZ-IN/SEC ²	REF

OPERATING LIMITS			
SPEED	10,000	RP/M	MAX
ARMATURE TEMPERATURE	200	DEGREES C	MAX

- NOTES:
1. ALL BEARING BEARINGS WITH HIGH TEMPERATURE CEASE WHEN TYPE SS-3 OR EQUIVALENT.
 2. ALL ARMATURE IS 200°C RATED.
 3. SHAFT MATERIAL IS STAINLESS STEEL HARDNESS 40-43RC.
 4. END CAP MATERIAL IS 300 STAINLESS STEEL.
 5. RUGGED, DURABLE HIGH TEMPERATURE DESIGN.
 6. WRAP COMM CONNECTION FOR HIGH SPEED.

M81525-XX/C
 MOTOR, P.M.D.C.