

PN	LINE COUNT/POLE PAIRS	BORE DIAM.
-01	500/3	.1876"
-02	1000/3	.1876"
-03	2000/3	.1876"
-10	250/3	.2501"
-11	500/3	.2501"
-12	1000/3	.2501"
-13	2000/3	.2501"
-14	512/3	.1876"
-15	1000/2	.1876"
-16		
-17	1000/3	.3750"
-18	1000/4	.1876"
-19	500/3	.3750"

SPECIFICATIONS

Mechanical

Shaft Endplay: $\pm 0.010"$
 Shaft Runout: ± 0.002 TIR
 Setscrew Size: #2-56 x 1/8Lg 4-spline
 Code Disk Mat'l: Metal

Electrical

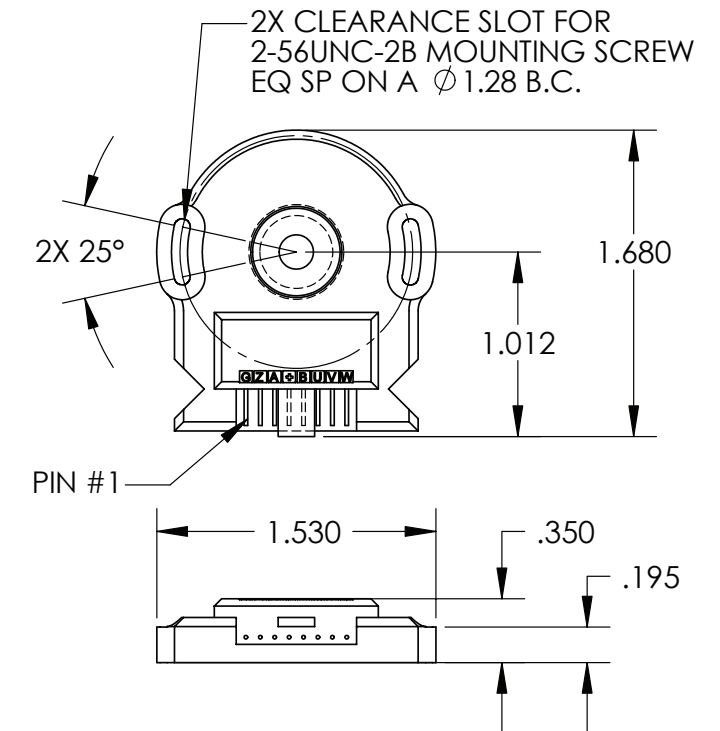
Current: 55 mA Max with 2000 OHM termination @nominal voltage + 10%
 Output Format: Dual square wave in quadrature
 Output Type: Push/Pull, Current Source/Sink 4mA Max
 Operating Freq: To 500 KHz, Flutter 1% Max

Environmental

Operating Temp: -30°C to $+100^{\circ}\text{C}$
 Storage Temp: -40°C to $+115^{\circ}\text{C}$
 Humidity: 90% relative (non-condensing)
 Shock: 50 G's for 11ms duration
 Vibration: 5-2000 Hz @ 10 G's
 IP Rating: IP 40

TERMINATION	
FUNCTION	PIN NO.
GND	1
Z	2
CH A	3
+Vcc	4
CH B	5
U	6
V	7
W	8

SHAFT	HUB SIZE ^{+0.004/-0.000}
1/8+	.1251
3/16	.1873
3/16+	.1876
1/4	.2498
1/4+	.2501
5/16	.3123
3/8	.3748
3/8+	.3751
5mm	.1969
6mm	.2362
8mm	.3150



DO NOT SCALE DRAWING

UNLESS OTHERWISE SPECIFIED:
 DIMENSIONS ARE IN INCHES.
 TOLERANCES ARE AS FOLLOWS
 FRACTIONS DECIMALS ANGLES
 $\pm 1/64$.x \pm .1 1°
 .xx \pm .01

DYNETIC
SÝSTEMS
 NEW CONCEPTS IN MOTION